


VS-BU-LH-3,6/18/3,8

Order No.: 1655454



<http://catalog.phoenixcontact.net/phoenix/treeViewClick.do?UID=1655454>

POWER contact, for D-SUB combination inserts, for PCB assembly, socket, angled, rated current 40 A, gold-plated

Commercial data	
EAN	 4 046356 029384
sales group	D502
Pack	30 Pcs.
Customs tariff	85366990
Gross weight in pieces	0.00268 KG
Net weight per piece	0.0025 KG
Catalog page information	Page 217 (C-2-2013)

Product notes

WEEE/RoHS-compliant since:
03/01/2005



<http://www.download.phoenixcontact.com>
Please note that the data given here has been taken from the online catalog. For comprehensive information and data, please refer to the user documentation. The General Terms and Conditions of Use apply to Internet downloads.

Technical data	
Mechanical characteristics	
Insertion/withdrawal cycles	≥ 500
Connection method	PCB mounting
Insertion force per signal contact	≤ 7.00 N

Extraction force per signal contact	approx. 5 N
-------------------------------------	-------------

Ambient conditions

Ambient temperature (operation)	-55 °C ... 155 °C
---------------------------------	-------------------

Material data

Contact material	Copper alloy
Contact surface material	Hard gold-plated over nickel

Electrical characteristics

Rated current	40 A
Insulation resistance	≥ 5 GΩ

Certificates / Approvals

Certification

Certifications applied for:

Certification Ex:

Accessories

Item	Designation	Description
------	-------------	-------------

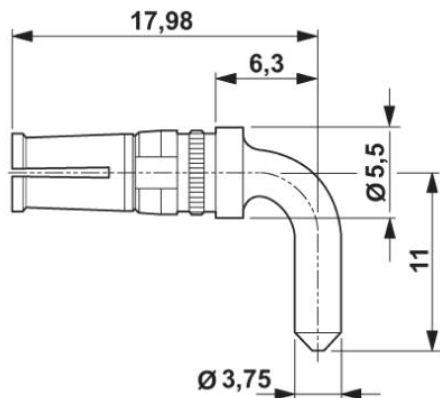
Tools

1676747	HC-M4-KOAX-EWZ	Contact removal tool for coaxial contacts
---------	----------------	---

Drawings

Dimensioned drawing

D-SUB power contact socket



Address

PHOENIX CONTACT Deutschland GmbH
Flachmarktstr. 8
32825 Blomberg, Germany
Phone +49 5235 3 12000
Fax +49 5235 3 41200
<http://www.phoenixcontact.com>



© 2014 Phoenix Contact
Technical modifications reserved;