


**RC-00000004200**

Order No.: 1592589

<http://catalog.phoenixcontact.net/phoenix/treeViewClick.do?UID=1592589>

Panel mounting base, straight, Screw locking, M23, Radial O-ring,  
4xM2.5, shielded: Yes, Panel thickness min.: 2.7 mm, Panel thickness  
max.: 3.5 mm

Commercial data	
EAN	 4 046356 191678
Note	Made-to-order
sales group	D300
Pack	40 Pcs.
Customs tariff	85389099
Gross weight in pieces	0.03443 KG
Net weight per piece	0.02426 KG

## Product notes

WEEE/RoHS-compliant since:  
01/01/2003



<http://www.download.phoenixcontact.com>  
Please note that the data given here has been taken from the online catalog. For comprehensive information and data, please refer to the user documentation. The General Terms and Conditions of Use apply to Internet downloads.

Technical data	
<b>General</b>	
Note	Order information Order contact inserts separately
Type of locking	Screw locking
Mounting type	4xM2.5

**Ambient conditions**

Ambient temperature	-20 °C ... 125 °C
Degree of protection	IP67

**Material**

Housing material	Turned parts: copper zinc alloy (CuZn), die-cast parts: zinc (GD-Zn)
Gasket and O-ring material	FPM

**Specifications according to DIN EN 61984:2001**

Installation height max.	2000 m
--------------------------	--------

**Certificates / Approvals**

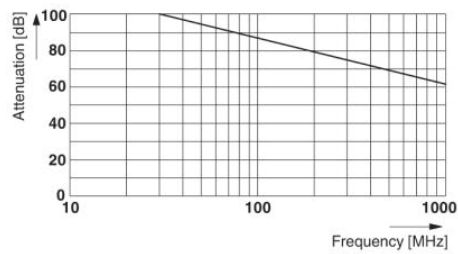
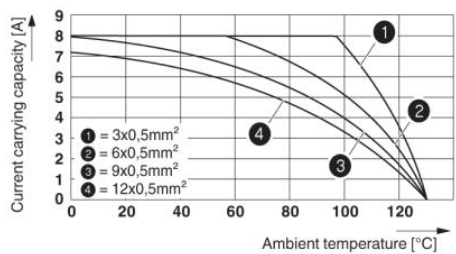
Certification

Certifications applied for:

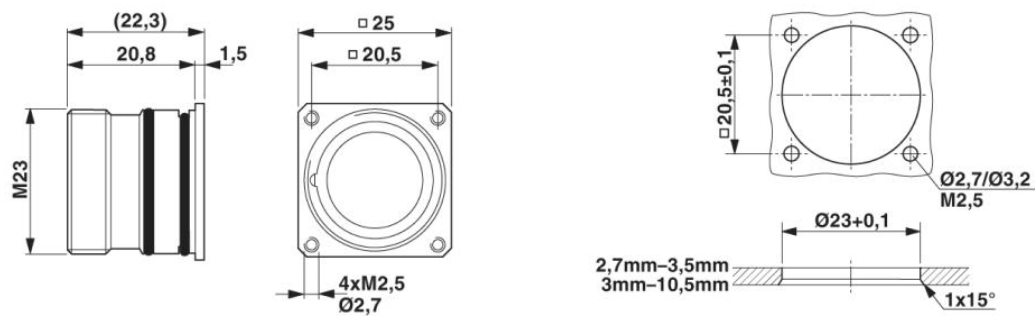
Certification Ex:

**Drawings**

Diagram



Dimensioned drawing



**Address**

PHOENIX CONTACT Deutschland GmbH  
Flachmarktstr. 8  
32825 Blomberg, Germany  
Phone +49 5235 3 12000  
Fax +49 5235 3 41200  
<http://www.phoenixcontact.com>



© 2014 Phoenix Contact  
Technical modifications reserved;