


RC-0000002200

Order No.: 1592574

<http://catalog.phoenixcontact.net/phoenix/treeViewClick.do?UID=1592574>

Panel mounting base, straight, Screw locking, M23, Flat gasket,
4xØ2,7, shielded: Yes, Flange dimensions: 25 mm x 25 mm, Panel
thickness min.: 1 mm

Commercial data

EAN	 4 046356 191623
sales group	D300
Pack	40 Pcs.
Customs tariff	85389099
Gross weight in pieces	0.02656 KG
Net weight per piece	0.02644 KG

Product notes

WEEE/RoHS-compliant since:
01/01/2003



[http://
www.download.phoenixcontact.com](http://www.download.phoenixcontact.com)
Please note that the data given
here has been taken from the
online catalog. For comprehensive
information and data, please refer
to the user documentation. The
General Terms and Conditions of
Use apply to Internet downloads.

Technical data**General**

Note	Order information Order contact inserts separately
Type of locking	Screw locking
Mounting type	4xØ2,7

Ambient conditions

Ambient temperature	-20 °C ... 125 °C
Degree of protection	IP67

Material

Housing material	Turned parts: copper zinc alloy (CuZn), die-cast parts: zinc (GD-Zn)
Gasket and O-ring material	FPM

Specifications according to DIN EN 61984:2001

Installation height max.	2000 m
--------------------------	--------

Certificates / Approvals

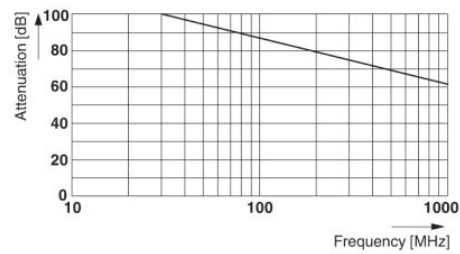
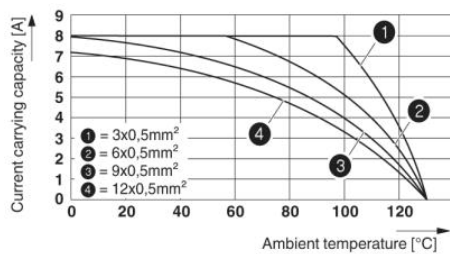
Certification

Certifications applied for:

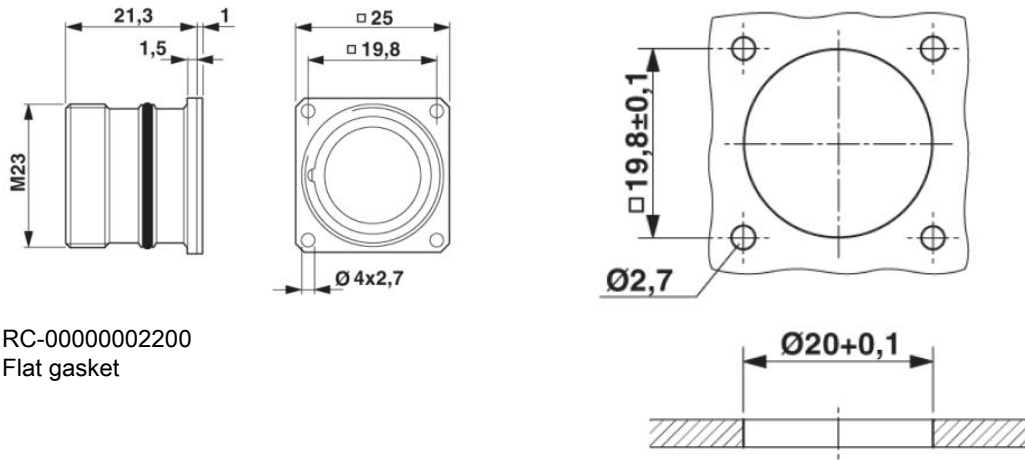
Certification Ex:

Drawings

Diagram



Dimensioned drawing



RC-00000002200
Flat gasket

Installation dimensions
Flat gasket, radial O-ring

Address

PHOENIX CONTACT Deutschland GmbH
Flachmarktstr. 8
32825 Blomberg, Germany
Phone +49 5235 3 12000
Fax +49 5235 3 41200
<http://www.phoenixcontact.com>



© 2014 Phoenix Contact
Technical modifications reserved;