


# SACC-M12-KD-NUT-SH

Order No.: 1440151



<http://catalog.phoenixcontact.net/phoenix/treeViewClick.do?UID=1440151>

EMC nut M12 is required for shield contacting on coated housing surfaces.

Commercial data	
EAN	 4 046356 483315
sales group	D125
Pack	10 Pcs.
Customs tariff	85389099
Gross weight in pieces	0.00237 KG
Net weight per piece	0.00237 KG
Catalog page information	Page 188 (C-2-2013)

**Product notes**

WEEE/RoHS-compliant since:  
01/06/2009



<http://www.download.phoenixcontact.com>  
Please note that the data given here has been taken from the online catalog. For comprehensive information and data, please refer to the user documentation. The General Terms and Conditions of Use apply to Internet downloads.

Technical data	
<b>General</b>	
Mounting type	M12 x 1
<b>Material</b>	
Contact material	CuZn

**Certificates / Approvals**



Certification GOST

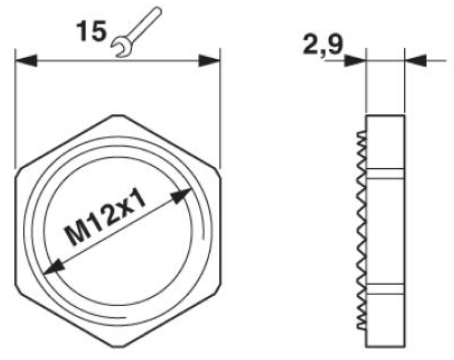
Certifications applied for:

Certification Ex:

---

**Drawings**

Dimensioned drawing



**Address**

PHOENIX CONTACT Deutschland GmbH  
Flachmarktstr. 8  
32825 Blomberg, Germany  
Phone +49 5235 3 12000  
Fax +49 5235 3 41200  
<http://www.phoenixcontact.com>



© 2014 Phoenix Contact  
Technical modifications reserved;