

SACC-DSI-FSY-8CON-M16-L180 SCO

Order No.: 1407503

M12 panel feed-through, rear mounting




<http://catalog.phoenixcontact.net/phoenix/treeViewClick.do?UID=1407503>

Hybrid flush-type socket, Ethernet, 8-pos., M12 SPEEDCON, rear/screw mounting with M16 thread, with straight solder connection

Ethernet



Commercial data

EAN	 4 046356 807920
Note	Made-to-order
sales group	D125
Pack	20 Pcs.
Customs tariff	85366990
Gross weight in pieces	0.01681 KG
Net weight per piece	0.01681 KG
Catalog page information	Page 91 (C-2-2013)

Product notes

WEEE/RoHS-compliant since:
07/02/2012



<http://www.download.phoenixcontact.com>
Please note that the data given here has been taken from the online catalog. For comprehensive information and data, please refer to the user documentation. The General Terms and Conditions of Use apply to Internet downloads.

Technical data

Ambient conditions

Ambient temperature (operation)	-25 °C ... 85 °C
Degree of protection	IP67

General

Note	The electrical and mechanical data specified assume that the connector pair is correctly locked and mounted. If the connector is unlocked and if there is a danger of contamination, the connector must be sealed using a protective cap > IP54. Influences arising from litz wires, cables or PCB assembly must also be taken into consideration.
Rated current at 40°C	0.5 A (Data)
	6 A (Power)
Rated voltage	30 V (Data)
	30 V (Power)
Number of positions	8
Contact resistance	≤ 3 mΩ
Insulation resistance	> 100 MΩ
Coding	Y - hybrid
Signal type/category	Ethernet CAT5 (IEC 11801:2002), CAT5e (TIA 568B:2001)
Surge voltage category	III
Pollution degree	3
Connection method	Solder-in connection
Insertion/withdrawal cycles	≥ 100
Torque	3 Nm ... 4 Nm
Mounting type	Rear mounting M16 x 1.5

Material

Inflammability class according to UL 94	V0
Contact material	CuZn
Contact surface material	Ni/Au
Contact carrier material	PPA
Material, knurls	Zinc die-cast, nickel-plated
Material	Zinc die-cast (nickel-plated)
Sealing material	FKM

Cable

Transmission characteristics (category)	CAT5 (IEC 11801:2002), CAT5e (TIA 568B:2001)
---	--

Certificates / Approvals

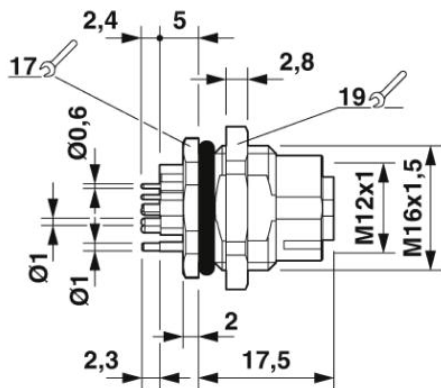
Certification

Certifications applied for:

Certification Ex:

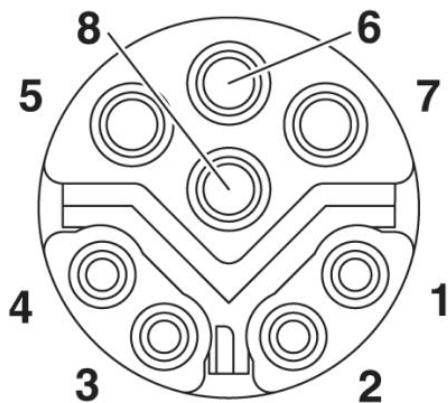
Drawings

Dimensioned drawing



M12 flush-type socket, 180° connection, contact length: 6 mm

Schematic diagram



Pin assignment M12 socket, 8-pos.

Address

PHOENIX CONTACT Deutschland GmbH
Flachmarktstr. 8
32825 Blomberg, Germany
Phone +49 5235 3 12000
Fax +49 5235 3 41200
<http://www.phoenixcontact.com>



© 2014 Phoenix Contact
Technical modifications reserved;