


SI-SES-R1A

Order No.: 1404513

RJ45 service socket

<http://catalog.phoenixcontact.net/phoenix/treeViewClick.do?UID=1404513>Service socket with RJ45 (socket/socket), 8-pos. metal, CAT5e
connection**Commercial data**

EAN	 4 046356 698535
sales group	D550
Pack	1 Pcs.
Customs tariff	85366990
Gross weight in pieces	0.016 KG
Net weight per piece	0.02222 KG
Catalog page information	Page 620 (C-4-2013)

Product notesWEEE/RoHS-compliant since:
09/13/2011

<http://www.download.phoenixcontact.com>
Please note that the data given here has been taken from the online catalog. For comprehensive information and data, please refer to the user documentation. The General Terms and Conditions of Use apply to Internet downloads.

Technical data**Mechanical characteristics**

Number of positions	8
Connection profile	RJ45
Shielded	Yes
Insertion/withdrawal cycles	> 100

Ambient conditions

Ambient temperature (operation)	-25 °C ... 70 °C
Ambient temperature (storage/transport)	-25 °C ... 85 °C
Degree of protection	IP65

Material data

Inflammability class according to UL 94	V0
Housing material	PA
Contact material	CuSn

Electrical characteristics

Number of positions	8
Nominal voltage U_N	24 V
Nominal current I_N	1.5 A
Transmission characteristics (category)	CAT5e
Pollution degree	3

Certificates / Approvals

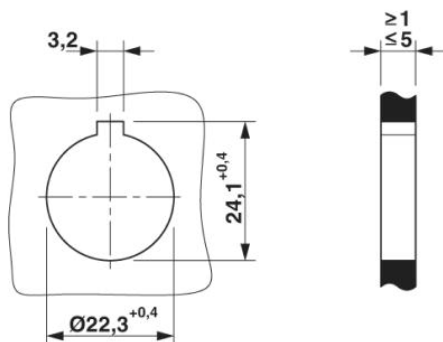
Certification

Certifications applied for:

Certification Ex:

Drawings

Dimensioned drawing



SI-SES-R1A Order No.: 1404513

<http://catalog.phoenixcontact.net/phoenix/treeViewClick.do?UID=1404513>

Address

PHOENIX CONTACT Deutschland GmbH
Flachmarktstr. 8
32825 Blomberg, Germany
Phone +49 5235 3 12000
Fax +49 5235 3 41200
<http://www.phoenixcontact.com>



© 2014 Phoenix Contact
Technical modifications reserved;