


PACT MCR-V1-21-44- 50-5A-1

Order No.: 2277019

<http://catalog.phoenixcontact.net/phoenix/treeViewClick.do?UID=2277019>

Bus-bar current transformer, 50 A AC primary current; 5 A AC secondary current; accuracy class 1; 1.25 VA rated power

Commercial data

EAN	 4 046356 305129
sales group	H534
Pack	1 Pcs.
Customs tariff	85043129
Gross weight in pieces	0.2045 KG
Net weight per piece	0.1946 KG
Catalog page information	Page 213 (C-7-2013)

Product notes

WEEE/RoHS-compliant since:
12/05/2007



<http://www.download.phoenixcontact.com>
Please note that the data given here has been taken from the online catalog. For comprehensive information and data, please refer to the user documentation. The General Terms and Conditions of Use apply to Internet downloads.

Technical data**Dimensions**

Primary round conductor (diameter)	21 mm
Width	30 mm
Height	66 mm
Depth	44 mm
Width with alternative assembly	44 mm

Height with alternative assembly	66 mm
Depth with alternative assembly	30 mm

Ambient conditions

Ambient temperature (operation)	-25 °C ... 40 °C
Ambient temperature (storage/transport)	-25 °C ... 40 °C

Input data

Thermal rated short-time current	$I_{th} = 60 * I_n$
Rated surge current	$I_{dyn} = 2.5 * I_{th}$
Rated frequency: Standard converter	50 Hz ... 60 Hz
Surge current limitation factor	FS 5
Rated power	1.25 VA
Primary rated current I_{pn}	0 A ... 50 A
Secondary rated current I_{sn}	5 A AC

General

Converter type	Tube rod converter
Class	1
Can be calibrated	no
Rated insulation voltage	1 kV
Test voltage input/output	3 kV (50 Hz, 1 min.)
Standards/regulations	IEC 60044-1
	EN 50178
Color	black
Housing material	Polyamide PA fiberglass reinforced

Certificates / Approvals

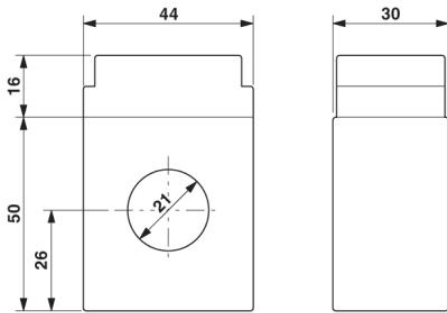
Certification

Certifications applied for:

Certification Ex:

Drawings

Dimensioned drawing



Address

PHOENIX CONTACT Deutschland GmbH
Flachmarktstr. 8
32825 Blomberg, Germany
Phone +49 5235 3 12000
Fax +49 5235 3 41200
<http://www.phoenixcontact.com>



© 2014 Phoenix Contact
Technical modifications reserved;