


# HC-D 25-TFL-72/M1PG21S

Order No.: 1772434

<http://catalog.phoenixcontact.net/phoenix/treeViewClick.do?UID=1772434>

Sleeve housing, for single locking latch, height 72 mm, with screw connection, 1x Pg21, lateral cable entry

**Commercial data**

EAN	 4 017918 037109
sales group	D011
Pack	10 Pcs.
Customs tariff	85389099
Gross weight in pieces	0.24434 KG
Net weight per piece	0.24434 KG
Catalog page information	Page 424 (C-4-2013)

**Product notes**WEEE/RoHS-compliant since:  
01/31/2006

<http://www.download.phoenixcontact.com>  
Please note that the data given here has been taken from the online catalog. For comprehensive information and data, please refer to the user documentation. The General Terms and Conditions of Use apply to Internet downloads.

**Technical data****Dimensions**

Height	72 mm
Width	36 mm
Length	79.5 mm
Wrench size, union nut	28 mm
External cable diameter	10 mm ... 19 mm

**Ambient conditions**

Degree of protection of housing (IP)	IP65
Ambient temperature (operation)	-40 °C ... 125 °C

**General**

Note	For contact inserts HC-D25, A16
Type	D25
Housing type	Sleeve housings
Locking type	for single locking latch
No. of cable outlets	1
Cable exit	Lateral
Screw connection	with
Type of the screw connection	1x Pg21
Housing material	Aluminum die-cast
Housing surface material	Powder-coated, gray
Seal material	NBR
Cable gland material	Nickel-plated brass
Cable seal material	NBR

**Certificates / Approvals**



Certification GOST

Certifications applied for:

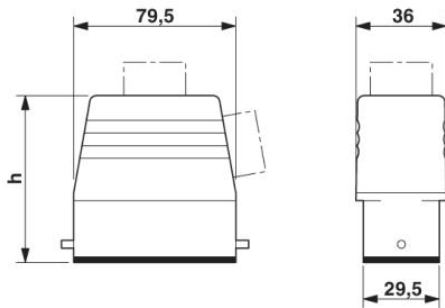
Certification Ex:

---

## Drawings

### Dimensioned drawing

---



**Address**

PHOENIX CONTACT Deutschland GmbH  
Flachmarktstr. 8  
32825 Blomberg, Germany  
Phone +49 5235 3 12000  
Fax +49 5235 3 41200  
<http://www.phoenixcontact.com>



© 2014 Phoenix Contact  
Technical modifications reserved;