


RC-00000080FZ

Order No.: 1592680

<http://catalog.phoenixcontact.net/phoenix/treeViewClick.do?UID=1592680>Sleeve housing for cable connector, straight, Screw locking, M23,
shielded: Yes, Cable diameter: 2 mm...10.5 mm**Commercial data**

EAN	 4 046356 192194
sales group	D300
Pack	20 Pcs.
Customs tariff	85389099
Gross weight in pieces	0.06588 KG
Net weight per piece	0.065505 KG

Product notesWEEE/RoHS-compliant since:
01/01/2003

<http://www.download.phoenixcontact.com>
Please note that the data given here has been taken from the online catalog. For comprehensive information and data, please refer to the user documentation. The General Terms and Conditions of Use apply to Internet downloads.

Technical data**General**

Note	Order information Order contact inserts and cable clamping/shield accessories separately
Type of locking	Screw locking
Contact connection method	Crimp connection
Type of contacts	Socket

Conductor entry	2 mm ... 10.5 mm
Ambient conditions	
Ambient temperature	-20 °C ... 125 °C
Degree of protection	IP67
Material	
Housing material	Turned parts: copper zinc alloy (CuZn), die-cast parts: zinc (GD-Zn)
Gasket and O-ring material	FPM
Specifications according to DIN EN 61984:2001	
Installation height max.	2000 m

Certificates / Approvals

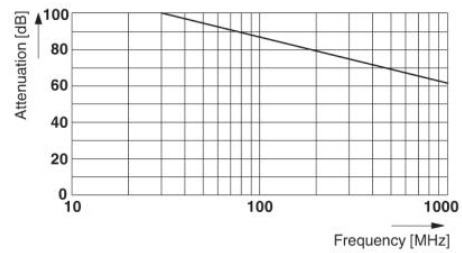
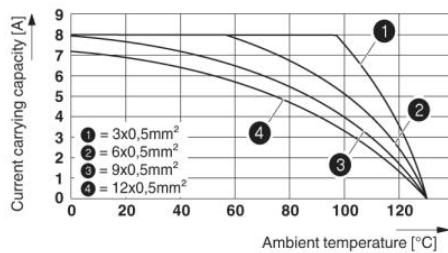
Certification

Certifications applied for:

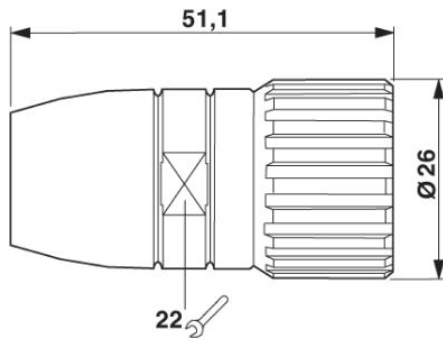
Certification Ex:

Drawings

Diagram



Dimensioned drawing



Address

PHOENIX CONTACT Deutschland GmbH
Flachmarktstr. 8
32825 Blomberg, Germany
Phone +49 5235 3 12000
Fax +49 5235 3 41200
<http://www.phoenixcontact.com>



© 2014 Phoenix Contact
Technical modifications reserved;