


# TU-0000000TUDU

Order No.: 1605891



<http://catalog.phoenixcontact.net/phoenix/treeViewClick.do?UID=1605891>

Sleeve housing for cable connector, angled, Bayonet locking, M23, shielded: Yes, Cable diameter: 2 mm...14.5 mm

| Commercial data        |  |
|------------------------|--|
| EAN                    | 4  046356 255509 |
| Note                   | Made-to-order  |
| sales group            | D300   |
| Pack                   | 8 Pcs.   |
| Customs tariff         | 85389099   |
| Gross weight in pieces | 0.17386 KG   |
| Net weight per piece   | 0.16434 KG   |

### Product notes

WEEE/RoHS-compliant since: 01/01/2003



<http://www.download.phoenixcontact.com>  
Please note that the data given here has been taken from the online catalog. For comprehensive information and data, please refer to the user documentation. The General Terms and Conditions of Use apply to Internet downloads.

## Technical data

| General                   |  |
|---------------------------|--|
| Note                      | Order information Order contact inserts separately |
| Type of locking           | Bayonet locking                                    |
| Contact connection method | Crimp connection                                   |
| Type of contacts          | Socket   |
| Conductor entry           | 2 mm ... 14.5 mm                                   |

### Ambient conditions

|                      |                   |
|----------------------|-------------------|
| Ambient temperature  | -20 °C ... 125 °C |
| Degree of protection | IP67              |

### Material

|                            |  |
|----------------------------|--|
| Housing material           | Turned parts: copper zinc alloy (CuZn), die-cast parts: zinc (GD-Zn) |
| Gasket and O-ring material | FPM  |

### Specifications according to DIN EN 61984:2001

|                          |        |
|--------------------------|--------|
| Installation height max. | 2000 m |
|--------------------------|--------|

### Certificates / Approvals

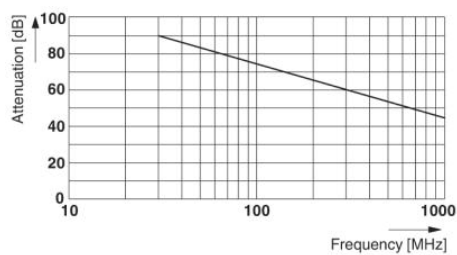
Certification

Certifications applied for:

Certification Ex:

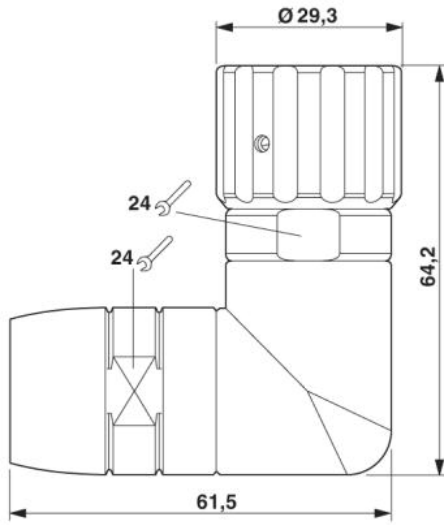
### Drawings

Diagram



Dimensioned drawing

---



**Address**

PHOENIX CONTACT Deutschland GmbH  
Flachmarktstr. 8  
32825 Blomberg, Germany  
Phone +49 5235 3 12000  
Fax +49 5235 3 41200  
<http://www.phoenixcontact.com>



© 2014 Phoenix Contact  
Technical modifications reserved;