


**SACC-DSI-M8MS-8CON-M8/0,5**

Order No.: 1424230

<http://catalog.phoenixcontact.net/phoenix/treeViewClick.do?UID=1424230>

Sensor/actuator flush-type plug, 8-pos., M8, rear/screw mounting with  
M8 fastening thread, with 0.5 m TPE litz wire, 8 x 0.14 mm<sup>2</sup>

**Commercial data**

EAN	 4 046356 712422
sales group	D125
Pack	1 Pcs.
Customs tariff	85366990
Gross weight in pieces	0.0155 KG
Net weight per piece	0.0155 KG
Catalog page information	Page 227 (C-2-2013)

**Product notes**

WEEE/RoHS-compliant since:  
10/19/2011



[http://  
www.download.phoenixcontact.com](http://www.download.phoenixcontact.com)  
Please note that the data given  
here has been taken from the  
online catalog. For comprehensive  
information and data, please refer  
to the user documentation. The  
General Terms and Conditions of  
Use apply to Internet downloads.

**Technical data****Dimensions**

Length of cable	0.5 m
-----------------	-------

**Ambient conditions**

Ambient temperature (operation)	-25 °C ... 85 °C
Degree of protection	IP67

### General

Rated current at 40°C	1.5 A
Rated voltage	30 V
Number of positions	8
Contact resistance	≤ 3 mΩ
Insulation resistance	≥ 100 MΩ
Coding	A - standard
Standards/regulations	M8 connector IEC 61076-2-104
Status display	No
Surge voltage category	II
Pollution degree	3
Connection method	Individual wires
Mounting type	Rear mounting M8 x 0.5

### Material

Inflammability class according to UL 94	HB
Contact material	Cu alloy
Contact surface material	Au
Contact carrier material	PUR / PA66
Material, knurls	Zinc die-cast, nickel-plated

### Cable

Cable type	PVC litz wire
AWG signal line	26
Wire colors	white, brown, green, yellow, gray, pink, blue, red
Conductor material	Tin-plated Cu litz wires
Ambient temperature (operation)	-25 °C ... 85 °C

### Certificates / Approvals

Certification

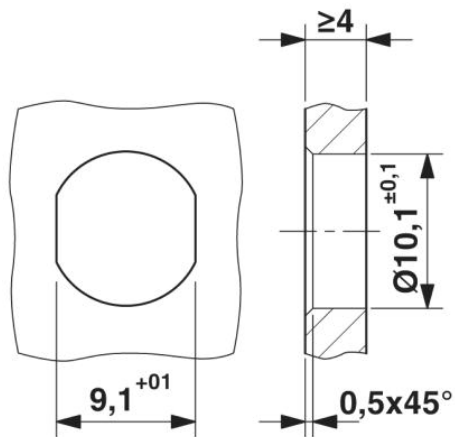
Certifications applied for:

Certification Ex:

---

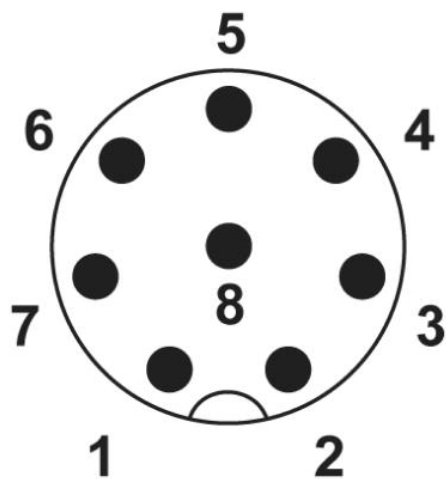
## Drawings

### Dimensioned drawing



Mounting panel with feed-through hole

### Schematic diagram



M8 plug pin assignment, 8-pos., view of pin side

**Address**

PHOENIX CONTACT Deutschland GmbH  
Flachmarktstr. 8  
32825 Blomberg, Germany  
Phone +49 5235 3 12000  
Fax +49 5235 3 41200  
<http://www.phoenixcontact.com>



© 2014 Phoenix Contact  
Technical modifications reserved;