

SACC-DSIV-FS-4CON-L90 SH SCO


Order No.: 1439900



<http://catalog.phoenixcontact.net/phoenix/treeViewClick.do?UID=1439900>

Sensor/actuator flush-type connector, socket, 4-pos., M12 SPEEDCON, A-coded, shielded, rear/screw mounting with M12 thread, with polarity protection, with angled solder connection



Commercial data	
EAN	 4 046356 476638
Note	Made-to-order
sales group	D125
Pack	10 Pcs.
Customs tariff	85366990
Gross weight in pieces	0.01391 KG
Net weight per piece	0.01292 KG
Catalog page information	Page 30 (PC-2009)

Product notes

WEEE/RoHS-compliant since: 12/01/2008



<http://www.download.phoenixcontact.com>
 Please note that the data given here has been taken from the online catalog. For comprehensive information and data, please refer to the user documentation. The General Terms and Conditions of Use apply to Internet downloads.

Technical data	
Ambient conditions	
Ambient temperature (operation)	-25 °C ... 85 °C (Plug / socket)
Degree of protection	IP67
General	
Rated current at 40°C	4 A
Rated voltage	60 V

Number of positions	4
Contact resistance	≤ 3 mΩ
Insulation resistance	≥ 100 MΩ
Coding	A - standard
Status display	No
Surge voltage category	II
Pollution degree	3
Connection method	Solder pins
Mounting type	Rear mounting M12 x 1 With flat nut

Material

Inflammability class according to UL 94	V0
Contact material	CuZn
Contact surface material	Au
Contact carrier material	PA 66
Material, knurls	Zinc die-cast, nickel-plated
Sealing material	NBR

Certificates / Approvals



Certification

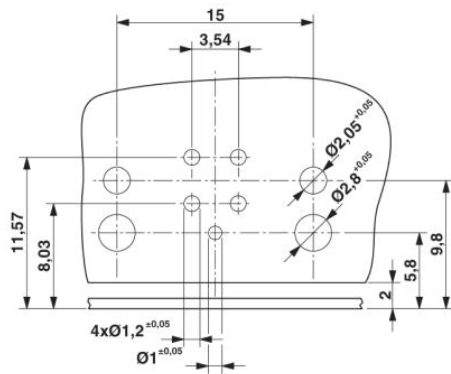
UL Recognized

Certifications applied for:

Certification Ex:

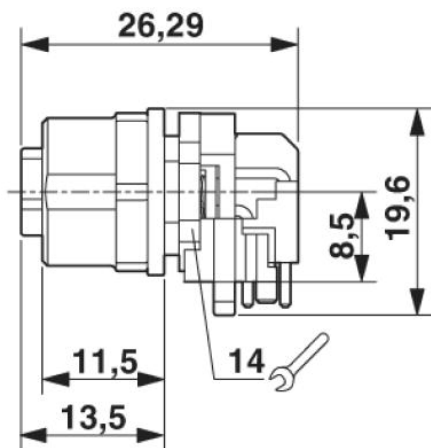
Drawings

Drilling plan/solder pad geometry

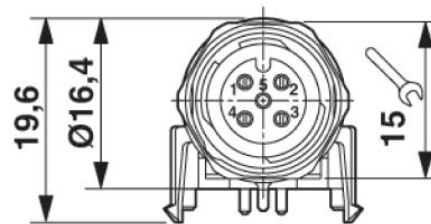


Drilling diagram

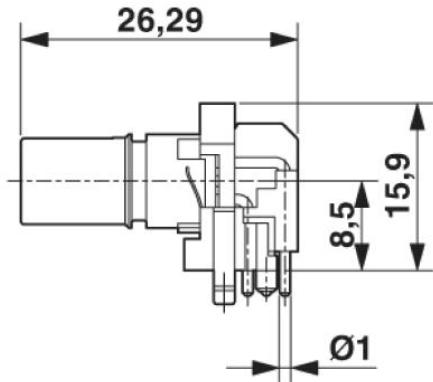
Dimensioned drawing



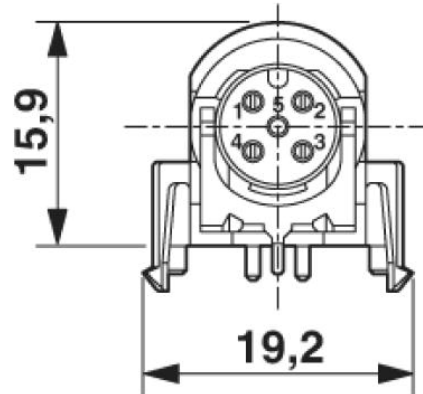
M12 flush-type connector, socket, side view



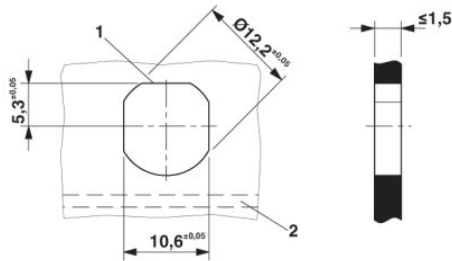
M12 flush-type connector, socket, front view



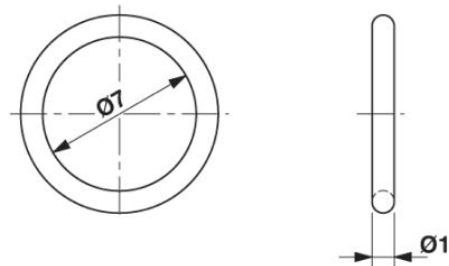
M12 flush-type connector, socket, contact carrier, side view



M12 flush-type connector, socket, contact carrier, front view

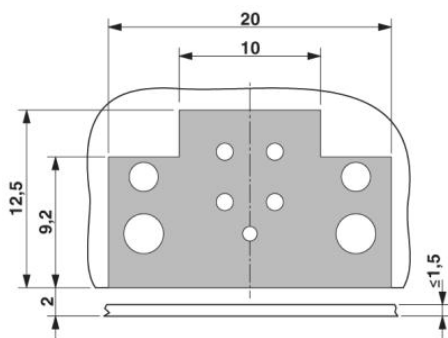


Housing cutout for M12 fastening thread, mounting panel with feed-through hole (alternative with surface as protection against rotation)



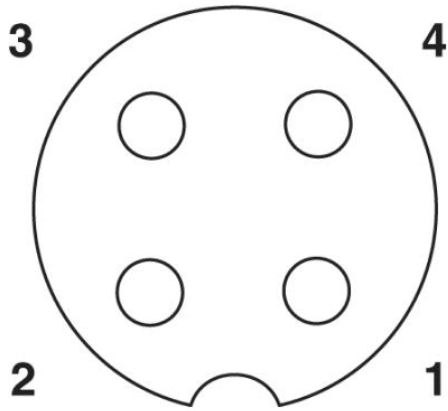
Optionally with O-ring (green) for tight seal when plugged in.
 - the axial mating force of 80 N per connector may not be exceeded when using with assembled O-ring!
 - Avoid radial forces!

Locked area on the PCB



Schematic diagram

Pin assignment M12 socket, 4-pos., A-coded, view female side



Address

PHOENIX CONTACT Deutschland GmbH
Flachmarktstr. 8
32825 Blomberg, Germany
Phone +49 5235 3 12000
Fax +49 5235 3 41200
<http://www.phoenixcontact.com>



© 2014 Phoenix Contact
Technical modifications reserved;