


PSR-SCP- 24UC/ESL4/3X1/1X2/B

Order No.: 2981059

<http://catalog.phoenixcontact.net/phoenix/treeViewClick.do?UID=2981059>

Safety relay for emergency stop and safety door and light grid monitoring up to SIL 3 or Cat. 4, PL e according to EN ISO 13849, single or two-channel operation, 3 enabling current paths, nominal input voltage of 24 V AC/DC, plug-in screw terminal blocks



Commercial data	
EAN	 4 017918 927202
sales group	G512
Pack	1 Pcs.
Customs tariff	85364900
Gross weight in pieces	0.2279 KG
Net weight per piece	0.1939 KG
Catalog page information	Page 75 (C-8-2013)

Product notes

WEEE/RoHS-compliant since:
08/08/2006

<http://www.download.phoenixcontact.com>
Please note that the data given here has been taken from the online catalog. For comprehensive information and data, please refer to the user documentation. The General Terms and Conditions of Use apply to Internet downloads.

Technical data	
Dimensions	
Width	22.5 mm
Height	99 mm
Depth	114.5 mm

Ambient conditions

Ambient temperature (operation)	-20 °C ... 55 °C
Ambient temperature (storage/transport)	-40 °C ... 70 °C
Max. permissible relative humidity (operation)	75 %
Max. permissible humidity (storage/transport)	75 %

Input data

Nominal input voltage U_N	24 V AC/DC
Input voltage range in reference to U_N	0.85 ... 1.1
Typical input current at U_N	150 mA AC 70 mA DC
Voltage at input/start and feedback circuit	approx. 24 V DC
Typical response time	25 ms (manual start) 100 ms (automatic start)
Typical release time	10 ms
Concurrence input 1/2	Infinite
Recovery time	1 s
Status display	Green LED

Output data

Contact type	3 enabling current paths 1 signaling current path
Contact material	AgSnO ₂ , + 0.2 µm Au
Minimum switching voltage	15 V AC/DC
Maximum switching voltage	250 V AC/DC
Limiting continuous current	6 A
Inrush current, minimum	25 mA
Maximum inrush current	6 A
Sq. Total current	$72 \text{ A}^2 (I_{TH}^2 = I_1^2 + I_2^2 + I_3^2)$
Interrupting rating (ohmic load) max.	144 W (24 V DC, $\tau = 0 \text{ ms}$) 288 W (48 V DC, $\tau = 0 \text{ ms}$) 77 W (110 V DC, $\tau = 0 \text{ ms}$) 88 W (220 V DC, $\tau = 0 \text{ ms}$) 1500 VA (250 V AC, $\tau = 0 \text{ ms}$)

Maximum interrupting rating (inductive load)	48 W (24 V DC, $\tau = 40$ ms)
	40 W (48 V DC, $\tau = 40$ ms)
	35 W (110 V DC, $\tau = 40$ ms)
	33 W (220 V DC, $\tau = 40$ ms)
Switching capacity min.	0.4 W
Output fuse	10 A gL/gG NEOZED (N/O contact)

General

Relay type	Electromechanically forcibly guided, dust-proof relay.
Mechanical service life	Approx. 10^7 cycles
Mounting type	DIN rail mounting
Degree of protection	IP20
Min. degree of protection of inst. location	IP54
Mounting position	any
Category according to EN 13849-1	4
Stop category	0
Designation	Air and creepage distances between the power circuits
Standards/regulations	DIN EN 50178/VDE 0160
Rated surge voltage / insulation	4 kV / basic insulation (safe isolation, reinforced insulation, and 6 kV between A1-A2/logic/enabling and signaling current paths)
Rated insulation voltage	250 V
Pollution degree	2
Surge voltage category	III

Connection data

Conductor cross section solid min.	0.2 mm ²
Conductor cross section solid max.	2.5 mm ²
Conductor cross section stranded min.	0.2 mm ²
Conductor cross section stranded max.	2.5 mm ²
Conductor cross section AWG/kcmil min.	24
Conductor cross section AWG/kcmil max	12
Stripping length	7 mm
Screw thread	M3
Connection method	Screw connection

Certificates / Approvals



Certification

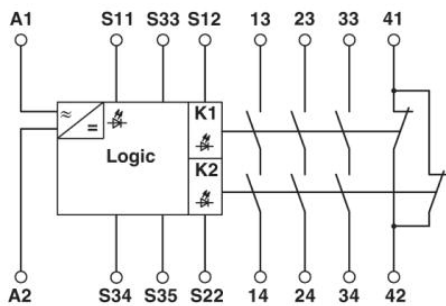
cULus Listed, GOST, Functional Safety

Certifications applied for:

Certification Ex:

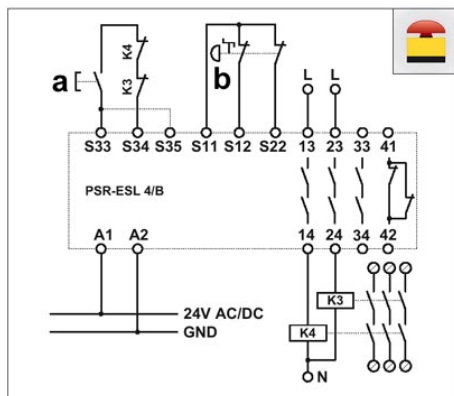
Drawings

Circuit diagram

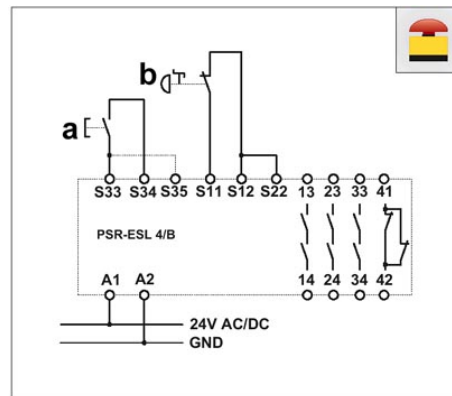


a = RESET
 b = light barrier
 Two-channel light barrier monitoring with cross-circuiting monitoring and manual activation (automatic activation: Bridge on S33/S35), suitable up to safety category 4.

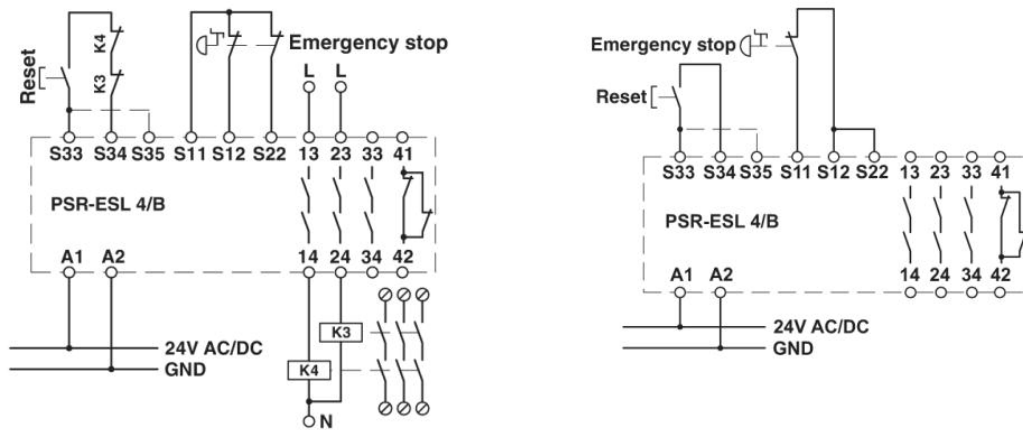
1 = logics



a = RESET
 b = Emergency stop
 Two-channel emergency-stop circuit with manual activation and monitored contact expansion (automatic activation: Bridge on S33/S35), suitable up to safety category 3.



a = RESET
 b = Emergency stop
 One-channel emergency-stop circuit with manual activation (automatic activation: Bridge on S33/S35), suitable up to safety category 2.



Address

PHOENIX CONTACT Deutschland GmbH
Flachmarktstr. 8
32825 Blomberg, Germany
Phone +49 5235 3 12000
Fax +49 5235 3 41200
<http://www.phoenixcontact.com>



© 2014 Phoenix Contact
Technical modifications reserved;