


## C-RC 35/M10 DIN

Order No.: 3240107

<http://catalog.phoenixcontact.net/phoenix/treeViewClick.do?UID=3240107>Ring cable lug, non-insulated, 35 mm<sup>2</sup>, M10**Commercial data**

EAN	 4 046356 453240
sales group	B282
Pack	100 Pcs.
Customs tariff	85369010
Gross weight in pieces	0.010377 KG
Net weight per piece	0.010377 KG
Catalog page information	Page 454 (C-5-2013)

**Product notes**WEEE/RoHS-compliant since:  
09/23/2008

<http://www.download.phoenixcontact.com>  
Please note that the data given here has been taken from the online catalog. For comprehensive information and data, please refer to the user documentation. The General Terms and Conditions of Use apply to Internet downloads.

**Technical data****Dimensions**

Length (b)	36 mm
Width (a)	18 mm
Length of insulation sleeve (c)	12 mm
Inner dimension of the insulating collar (d)	9 mm
Distance between the center and the insulation sleeve (e)	15 mm
Inner diameter (f)	10.5 mm

Material thickness (g)	1.6 mm
<b>Ambient conditions</b>	
Ambient temperature (operation)	110 °C
<b>General</b>	
Color	silver
Stripping length	15 mm
Material	Copper

### Certificates / Approvals

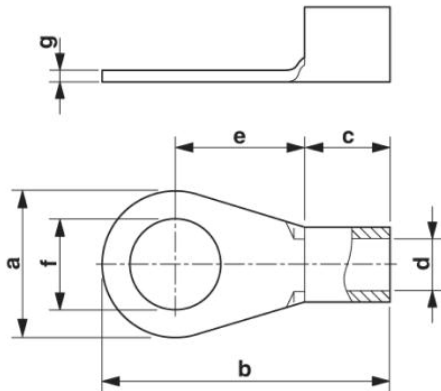
Certification

Certifications applied for:

Certification Ex:

### Drawings

Dimensioned drawing



**Address**

PHOENIX CONTACT Deutschland GmbH  
Flachmarktstr. 8  
32825 Blomberg, Germany  
Phone +49 5235 3 12000  
Fax +49 5235 3 41200  
<http://www.phoenixcontact.com>



© 2014 Phoenix Contact  
Technical modifications reserved;