


C-RCI 2,5/M6

Order No.: 3240025

<http://catalog.phoenixcontact.net/phoenix/treeViewClick.do?UID=3240025>Ring cable lug, blue, 1.5-2.5 mm², M6**Commercial data**

EAN	 4 046356 452021
sales group	B281
Pack	50 Pcs.
Customs tariff	85369010
Gross weight in pieces	0.001273 KG
Net weight per piece	0.001243 KG
Catalog page information	Page 456 (C-5-2013)

Product notesWEEE/RoHS-compliant since:
09/22/2008

<http://www.download.phoenixcontact.com>
Please note that the data given here has been taken from the online catalog. For comprehensive information and data, please refer to the user documentation. The General Terms and Conditions of Use apply to Internet downloads.

Technical data**Dimensions**

Length (b)	28.1 mm
Width (a)	12 mm
Length of insulation sleeve (c)	11 mm
Inner dimension of the insulating collar (d)	4.5 mm
Distance between the center and the insulation sleeve (e)	11 mm
Inner diameter (f)	6.5 mm

Material thickness (g)	0.8 mm
Ambient conditions	
Ambient temperature (operation)	-20 °C ... 105 °C
General	
Color	blue
Stripping length	8 mm
Components	Halogen-free
Inflammability class according to UL 94	V2
Material	Copper

Certificates / Approvals

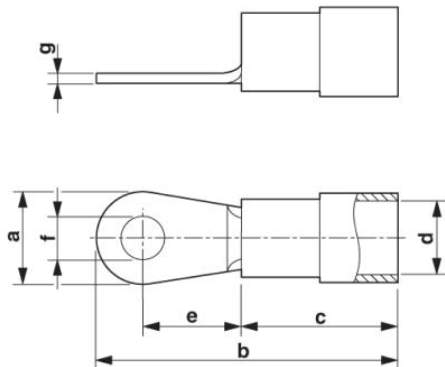
Certification

Certifications applied for:

Certification Ex:

Drawings

Dimensioned drawing



Address

PHOENIX CONTACT Deutschland GmbH
Flachmarktstr. 8
32825 Blomberg, Germany
Phone +49 5235 3 12000
Fax +49 5235 3 41200
<http://www.phoenixcontact.com>



© 2014 Phoenix Contact
Technical modifications reserved;