


REL-PR3- 24DC/3X21

Order No.: 2903702



<http://catalog.phoenixcontact.net/phoenix/treeViewClick.do?UID=2903702>

Plug-in high-power relay with power contacts, 3 PDTs, coil voltage: 24 V DC

Commercial data	
EAN	4 046356 759144 
sales group	G082
Pack	1 Pcs.
Customs tariff	85364190
Gross weight in pieces	0.08871 KG
Net weight per piece	0.08871 KG
Catalog page information	Page 300 (C-7-2013)

Product notes

WEEE/RoHS-compliant since: 07/05/2012



<http://www.download.phoenixcontact.com>
Please note that the data given here has been taken from the online catalog. For comprehensive information and data, please refer to the user documentation. The General Terms and Conditions of Use apply to Internet downloads.

Technical data

Dimensions	
Width	38.6 mm
Height	45.5 mm
Depth	36.1 mm

Ambient conditions	
Ambient temperature (operation)	-40 °C ... 70 °C

Ambient temperature (storage/transport)	-40 °C ... 85 °C
Coil side	
Nominal input voltage U_N	24 V DC
Input voltage range in reference to U_N	see diagram
Typical input current at U_N	56 mA
Typical response time	20 ms
Typical release time	15 ms
Status display	Yellow LED
Protective circuit	Damping diode
Contact side	
Contact type	3 PDTs
Contact material	AgNi
Maximum switching voltage	440 V AC 250 V DC
Minimum switching voltage	10 V (At 24 mA)
Maximum inrush current	50 A (20 ms, N/O contact)
Min. switching current	10 mA (at 24 V)
Limiting continuous current	16 A
Interrupting rating (ohmic load) max.	384 W (at 24 V DC) 124 W (at 48 V DC) 108 W (at 60 V DC) 52 W (at 110 V DC) 70 W (at 220 V DC) 4000 VA (for 250 V AC) 4000 VA (At 440 V AC)
Switching capacity in acc. with DIN VDE 0660/IEC 60947	2 A (at 24 V, DC13) 0.22 A (at 120 V, DC13) 0.11 A (at 250 V, DC13) 3 A (at 24 V, AC15) 3 A (at 120 V, AC15) 1.5 A (at 240 V, AC15)
3-phase motor load	1500 W (at 400 V, AC3)

Motor load according to UL 508	1/3 HP, 120 V AC (single-phase AC motor)
	1/2 HP, 240 V AC (single-phase AC motor)
	1/2 HP, 240 V AC (three-phase induction motor)

General

Test voltage relay winding/relay contact	2.5 kV _{rms} (50 Hz, 1 min.)
Test voltage relay contact/relay contact	2.5 kV _{rms} (50 Hz, 1 min.)
Test voltage PDT/PDT	2.5 kV _{rms} (50 Hz, 1 min.)
Operating mode	100% operating factor
Degree of protection	RT I
Mechanical service life	Approx. 10 ⁷ cycles
Designation	Air and creepage distances between the power circuits
Standards/regulations	IEC 60664
Rated insulation voltage	250 V AC
Pollution degree	3
Surge voltage category	III
Designation	Standards/regulations
Standards/regulations	IEC 61810
Mounting position	any

Connection data

Connection method	Plug connection
-------------------	-----------------

Certificates / Approvals



Certification

CSA, cULus Recognized

Certifications applied for:

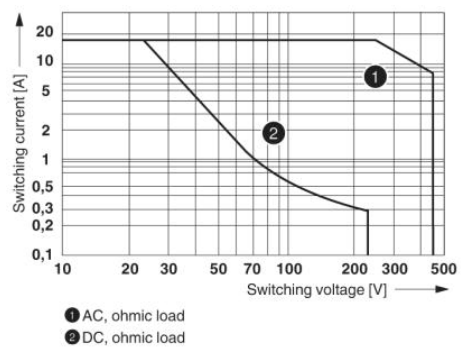
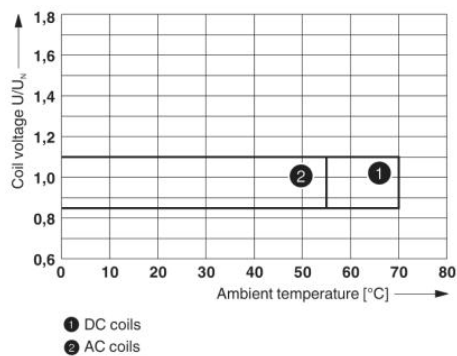
Certification Ex:

Accessories

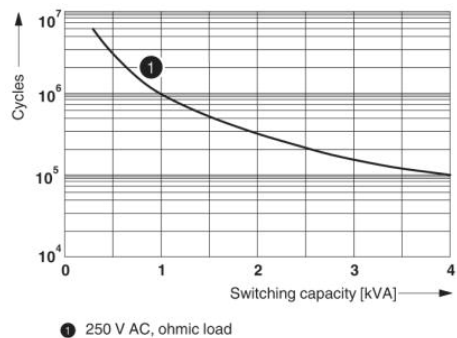
Item	Designation	Description
Relay base		
2900961	RIF-4-BPT/3X21	RIF-4... relay base, for high-power relay with 2 or 3 PDTs or 3 N/O contacts, push-in connection, plug-in option for input/suppressor modules, for mounting on NS 35/7,5

Drawings

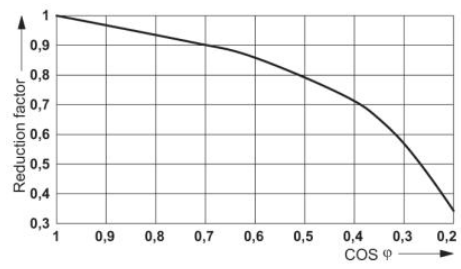
Diagram



Operating voltage range



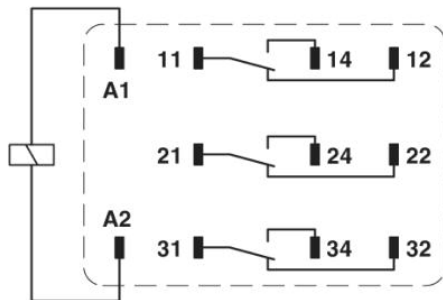
Interrupting rating



Electrical service life

Service life reduction factor

Circuit diagram



Address

PHOENIX CONTACT Deutschland GmbH
Flachmarktstr. 8
32825 Blomberg, Germany
Phone +49 5235 3 12000
Fax +49 5235 3 41200
<http://www.phoenixcontact.com>



© 2014 Phoenix Contact
Technical modifications reserved;