


# REL-OR-230AC/2X21

Order No.: 2834261



<http://catalog.phoenixcontact.net/phoenix/treeViewClick.do?UID=2834261>

Pluggable octal relay with power contacts, 2 PDT, test button, mechanical switching position indication, coil voltage 230 V AC

| Commercial data          |  |
|--------------------------|--|
| EAN                      | 4  017918 941871 |
| sales group              | G082   |
| Pack                     | 10 Pcs.  |
| Customs tariff           | 85364900   |
| Gross weight in pieces   | 0.11456 KG   |
| Net weight per piece     | 0.11456 KG   |
| Catalog page information | Page 384 (C-7-2013)  |

#### Product notes

WEEE/RoHS-compliant since:  
09/07/2006

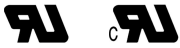


<http://www.download.phoenixcontact.com>  
Please note that the data given here has been taken from the online catalog. For comprehensive information and data, please refer to the user documentation. The General Terms and Conditions of Use apply to Internet downloads.

| Technical data                  |                  |
|---------------------------------|------------------|
| <b>Dimensions</b>               |                  |
| Width                           | 34.5 mm          |
| Height                          | 34.5 mm          |
| Depth                           | 52.5 mm          |
| <b>Ambient conditions</b>       |                  |
| Ambient temperature (operation) | -40 °C ... 60 °C |

|  |  |
|--|--|
| Ambient temperature (storage/transport)  | -40 °C ... 60 °C                                 |
| <b>Coil side</b>                         |  |
| Nominal input voltage $U_N$              | 230 V AC   |
| Typical input current at $U_N$           | 10 mA (at 50 Hz)                                 |
|  | 11 mA (At 60 Hz)                                 |
| Typical response time                    | 5 ms ... 20 ms (AC, depending on phase relation) |
| Typical release time range               | 5 ms ... 20 ms (AC, depending on phase relation) |
| Coil resistance                          | 6170 $\Omega$ $\pm$ 15 % (at 20 °C)              |
| <b>Contact side</b>                      |  |
| Contact type                             | 2 PDT  |
| Contact material                         | AgSnIn   |
| Maximum switching voltage                | 250 V AC/DC                                      |
| Minimum switching voltage                | 1 V  |
| Maximum inrush current                   | on request                                       |
| Min. switching current                   | 10 mA  |
| Limiting continuous current              | 10 A (N/O contact)                               |
|  | 5 A (N/C contact)                                |
| Interrupting rating (ohmic load) max.    | 2500 VA (for 250 V AC)                           |
| <b>General</b>                           |  |
| Test voltage relay winding/relay contact | 2.5 kV AC (50 Hz, 1 min.)                        |
| Test voltage relay contact/relay contact | 2.5 kV AC (50 Hz, 1 min.)                        |
| Operating mode                           | 100% operating factor                            |
| Mechanical service life                  | 10 x 10 <sup>6</sup> cycles                      |
| Standards/regulations                    | IEC 60664  |
| Pollution degree                         | 3  |
| Surge voltage category                   | II   |
| Mounting position                        | any  |
| Assembly instructions                    | On relay base PR3                                |
| <b>Connection data</b>                   |  |
| Connection method                        | Plug connection                                  |

**Certificates / Approvals**



Certification

cULus Recognized

Certifications applied for:

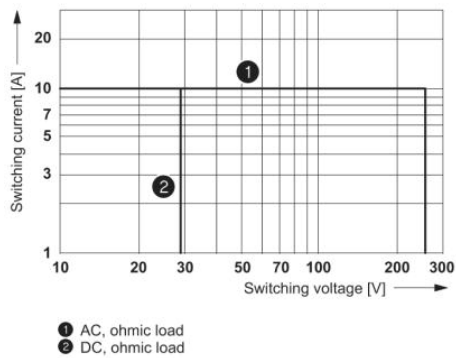
Certification Ex:

**Additional products**

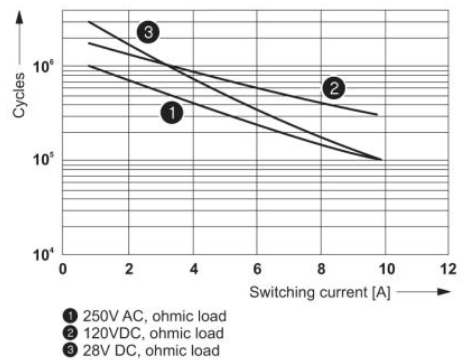
| Item           | Designation   | Description  |
|----------------|---------------|--|
| <b>General</b> |               |  |
| 2833602        | PR3-BSC1/2X21 | Relay socket PR3..., for octal relay REL-OR with 2 PDT, screw connections, connection facility for input/interference suppression modules, for mounting on NS 35/7.5 |

**Drawings**

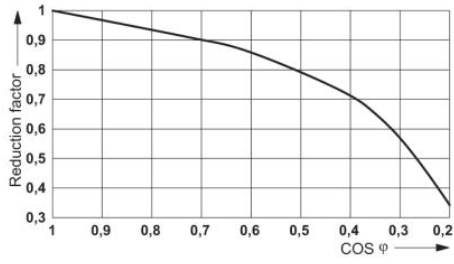
Diagram



Interrupting rating



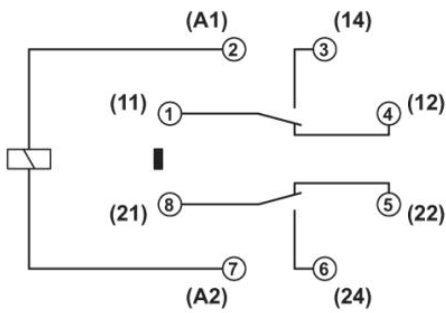
Electrical service life



Service life reduction factor with various cos phi

Circuit diagram

---



**Address**

PHOENIX CONTACT Deutschland GmbH  
Flachmarktstr. 8  
32825 Blomberg, Germany  
Phone +49 5235 3 12000  
Fax +49 5235 3 41200  
<http://www.phoenixcontact.com>



© 2014 Phoenix Contact  
Technical modifications reserved;