


SACCBP-FS-5CON-M16/2,0-PUR SCO

Order No.: 1419331

<http://catalog.phoenixcontact.net/phoenix/treeViewClick.do?UID=1419331>Flush-type socket, shielded, 5-pos., M12, A-coded, rear/screw
mounting with M16 thread, with 2 m cable, 5 x 0.34 mm²**Product notes**WEEE/RoHS-compliant since:
09/29/2009**Commercial data**

| | |
|--------------------------|--|
| EAN |  4 046356 533317 |
| sales group | D125 |
| Pack | 1 Pcs. |
| Customs tariff | 85444290 |
| Gross weight in pieces | 0.124 KG |
| Net weight per piece | 0.124 KG |
| Catalog page information | Page 245 (C-2-2013) |

<http://www.download.phoenixcontact.com>
Please note that the data given here has been taken from the online catalog. For comprehensive information and data, please refer to the user documentation. The General Terms and Conditions of Use apply to Internet downloads.

Technical data**Dimensions**

| | |
|-----------------|-----|
| Length of cable | 2 m |
|-----------------|-----|

Ambient conditions

| | |
|---------------------------------|---|
| Ambient temperature (operation) | -25 °C ... 85 °C (Plug / socket) |
| | -40 °C ... 85 °C (without mechanical actuation) |
| Degree of protection | IP67 |

General

| | |
|-----------------------------|--|
| Note | The electrical and mechanical data specified assume that the connector pair is correctly locked and mounted. If the connector is unlocked and if there is a danger of contamination, the connector must be sealed using a protective cap > IP54. Influences arising from litz wires, cables or PCB assembly must also be taken into consideration. |
| Rated current at 40°C | 4 A |
| Rated voltage | 60 V |
| Number of positions | 5 |
| Contact resistance | ≤ 3 mΩ |
| Insulation resistance | ≥ 100 MΩ |
| Coding | A - standard |
| Standards/regulations | M12 connector IEC 61076-2-101 |
| Status display | No |
| Surge voltage category | II |
| Pollution degree | 3 |
| Connection method | Individual wires |
| Insertion/withdrawal cycles | > 100 |
| Torque | 3 Nm ... 4 Nm (Installation-side) |
| Mounting type | Rear mounting M16 x 1.5 With flat nut |

Material

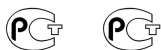
| | |
|---|------------------------------|
| Inflammability class according to UL 94 | V0 |
| Contact material | CuZn |
| Contact surface material | Au |
| Contact carrier material | PA 66 |
| Material, knurls | Zinc die-cast, nickel-plated |
| Sealing material | FKM |

Cable

| | |
|------------------------------------|------------------------|
| Cable type | PUR halogen-free black |
| Cable abbreviation | Li9Y-V1-C-V1-11Y |
| Conductor cross section | 0.34 mm ² |
| AWG signal line | 22 |
| Conductor structure signal line | 7x 0.25 mm |
| Core diameter including insulation | 1.2 mm ±0.07 mm |
| Thickness, insulation | 0.21 mm |

| | |
|---------------------------------|---|
| Wire colors | Brown, white, blue, black, gray |
| Overall twist | 5 wires around filler to the core |
| Shielding | Braided copper wires |
| Optical shield covering | 85 % |
| External sheath, color | black-gray RAL 7021 |
| External cable diameter | 5.90 mm |
| Cable weight | 48 kg/km |
| Outer sheath, material | PUR |
| Material, filler | PE |
| Conductor material | Bare Cu litz wires |
| Insulation resistance | $\geq 20 \text{ M}\Omega \cdot \text{km}$ |
| Conductor resistance | $\leq 57.6 \text{ m}\Omega/\text{m}$ |
| Nominal voltage, cable | 300 V |
| Test voltage, cable | 2000 V AC |
| Ambient temperature (operation) | -40 °C ... 85 °C (cable, fixed installation) -25 °C ... 85 °C (cable, flexible installation) |

Certificates / Approvals



Certification GOST

Certifications applied for:

Certification Ex:

Accessories

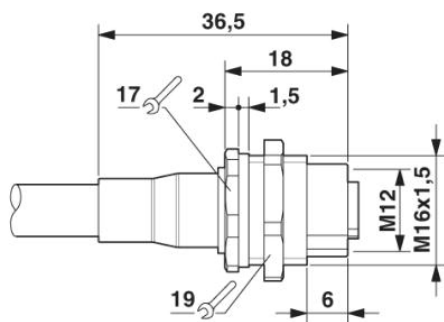
| Item | Designation | Description |
|----------------|---------------------------|---|
| General | | |
| 1430394 | SACC-M16-SEAL CLM | M16 flat gasket, for rear mounting of M12 flush-type connectors with M16 fastening thread |
| 1453368 | SACC-M16-SEALING PLUG SET | M16 screw plug for unused M12 housing cutouts |

Protection and sealing elements

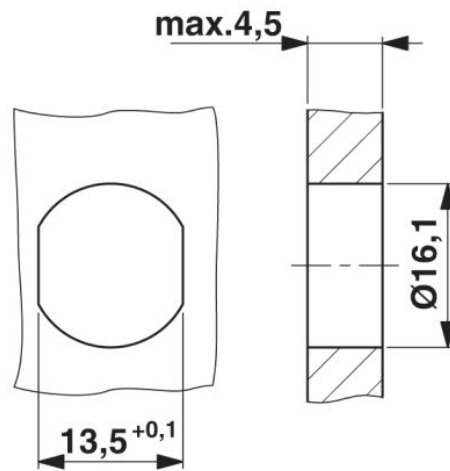
| | | |
|---------|-------------|--|
| 1680539 | PROT-M12 | An M12 screw plug for the unoccupied M12 sockets of the sensor/actuator cable, boxes and flush-type connectors |
| 1555538 | PROT-M12 FB | M12 high-grade steel screw plug, for unoccupied M12 sockets of the sensor/actuator cables, boxes and flush-type connectors for the food industry |
| 1503302 | PROT-M12 SH | An M12 screw plug for the unoccupied M12 sockets of the shielded sensor/actuator cable, boxes and flush-type connectors |

Drawings

Dimensioned drawing

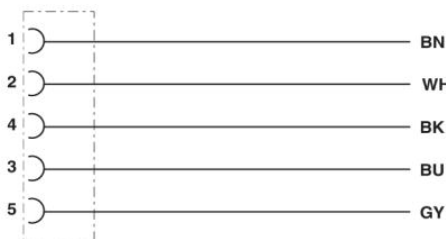


M12 flush-type connector



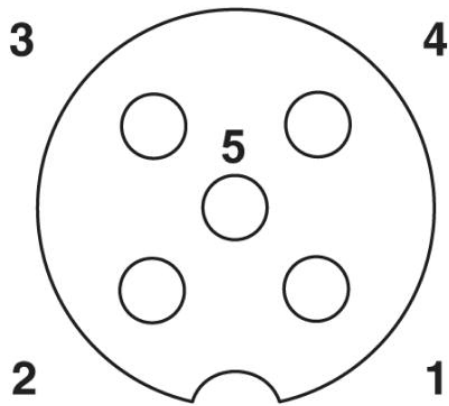
Housing cutout for M16 fastening thread, mounting panel with feed-through hole (alternatively with surface as protection against rotation)

Circuit diagram



Contact assignment of the M12 socket

Schematic diagram



Pin assignment M12 socket, 5-pos., A-coded, socket side view



PUR halogen-free black shielded [PUR]

Address

PHOENIX CONTACT Deutschland GmbH
Flachmarktstr. 8
32825 Blomberg, Germany
Phone +49 5235 3 12000
Fax +49 5235 3 41200
<http://www.phoenixcontact.com>



© 2014 Phoenix Contact
Technical modifications reserved;