

SACC-DSI-MS-17CON-M12 SCO SH


Order No.: 1437119

<http://catalog.phoenixcontact.net/phoenix/treeViewClick.do?UID=1437119>

Sensor/actuator flush-type connector, plug, 17-pos., M12 SPEEDCON, shielded, A-coded, rear/screw mounting with M12 thread, with straight solder pins



Commercial data

EAN	 4 046356 449601
Note	Made-to-order
sales group	D125
Pack	20 Pcs.
Customs tariff	85366990
Gross weight in pieces	0.0101 KG
Net weight per piece	0.009695 KG
Catalog page information	Page 249 (C-2-2013)

Product notes

WEEE/RoHS-compliant since:
09/12/2008



<http://www.download.phoenixcontact.com>
Please note that the data given here has been taken from the online catalog. For comprehensive information and data, please refer to the user documentation. The General Terms and Conditions of Use apply to Internet downloads.

Technical data

Dimensions

Length of the solder pin	6 mm
--------------------------	------

Ambient conditions

Ambient temperature (operation)	-25 °C ... 85 °C (Plug / socket)
	-40 °C ... 85 °C (without mechanical actuation)
Degree of protection	IP67

General

Note	The electrical and mechanical data specified assume that the connector pair is correctly locked and mounted. If the connector is unlocked and if there is a danger of contamination, the connector must be sealed using a protective cap > IP54. Influences arising from litz wires, cables or PCB assembly must also be taken into consideration.
Rated current at 40°C	1.5 A
Rated voltage	30 V
Number of positions	17
Contact resistance	≤ 3 mΩ
Insulation resistance	≥ 100 MΩ
Coding	A - standard
Standards/regulations	M12 connector IEC 61076-2-101
Status display	No
Surge voltage category	II
Pollution degree	3
Connection method	Solder pins
Insertion/withdrawal cycles	> 100
Torque	3 Nm ... 4 Nm (Installation-side)
Mounting type	Rear mounting M12 x 1 With flat nut

Material

Inflammability class according to UL 94	V0
Contact material	CuZn
Contact surface material	Au
Contact carrier material	PA 66
Material, knurls	Zinc die-cast, nickel-plated
Sealing material	NBR

Cable

Ambient temperature (operation)	-40 °C ... 85 °C (cable, fixed installation)
	-25 °C ... 85 °C (cable, flexible installation)

Certificates / Approvals



Certification

GOST, UL Recognized

Certifications applied for:

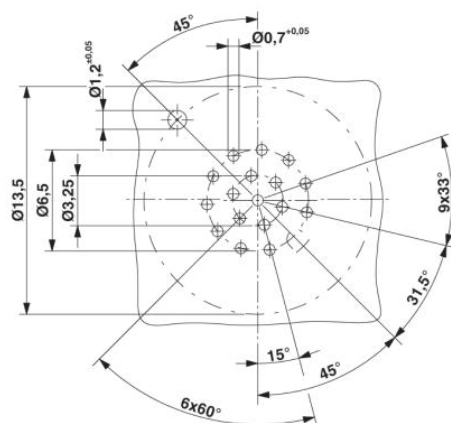
Certification Ex:

Accessories

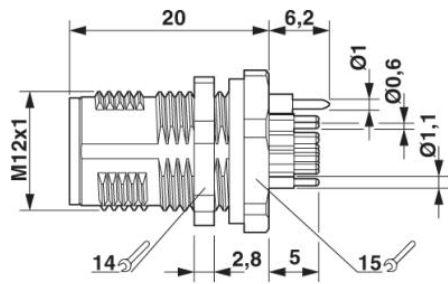
Item	Designation	Description
Protection and sealing elements		
1560251	PROT-M12 FS	M12 sealing cap for unoccupied M12 plugs of the sensor/actuator cable, flush-type plugs and I/O devices in the field
1430488	PROT-M12 FS-M	M12 metal sealing cap for unoccupied M12 plugs of the sensor/ actuator cable, flush-type plugs and I/O devices in the field

Drawings

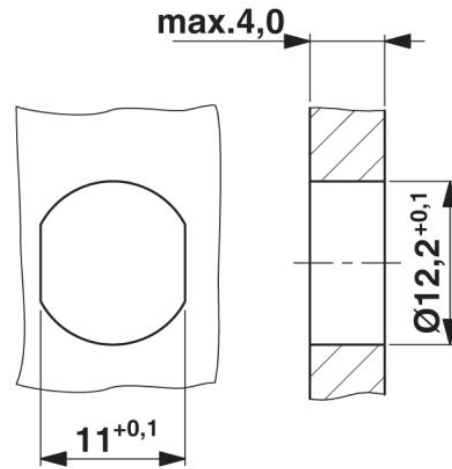
Drilling plan/solder pad geometry



Dimensioned drawing

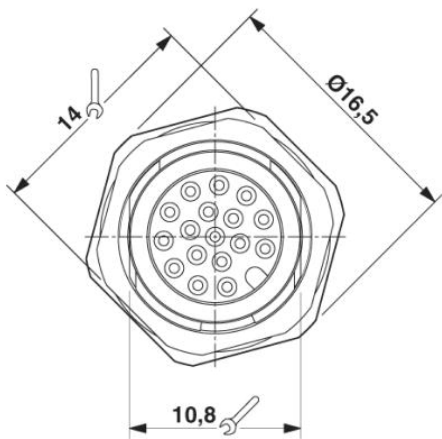


M12 flush-type connector



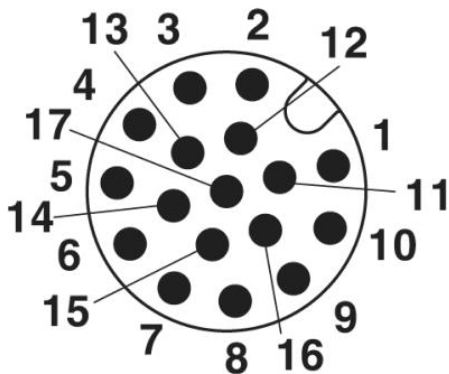
Panel cutout

Front view of M12 flush-type connector



Schematic diagram

Pin assignment M12 male connector, 17-pos., male side view



Address

PHOENIX CONTACT Deutschland GmbH
Flachmarktstr. 8
32825 Blomberg, Germany
Phone +49 5235 3 12000
Fax +49 5235 3 41200
<http://www.phoenixcontact.com>



© 2014 Phoenix Contact
Technical modifications reserved;