

# UPBV 4/ 1-R


Order No.: 3045774

Illustration shows various versions of the product (left, center and right element) in different color combinations



<http://catalog.phoenixcontact.net/phoenix/treeViewClick.do?UID=3045774>

Plug, Connection method: Screw connection, Number of positions: 1, Cross section: 0.14 mm<sup>2</sup> - 6 mm<sup>2</sup>, AWG: 26 - 10, Width: 6.2 mm, Height: 48.5 mm, Color: gray

Commercial data	
EAN	 4 046356 083294
sales group	A871
Pack	50 Pcs.
Customs tariff	85366990
Gross weight in pieces	0.00684 KG
Net weight per piece	0.00684 KG
Catalog page information	Page 411 (C-3-2013)

### Product notes

WEEE/RoHS-compliant since: 01/01/2006



<http://www.download.phoenixcontact.com>  
 Please note that the data given here has been taken from the online catalog. For comprehensive information and data, please refer to the user documentation. The General Terms and Conditions of Use apply to Internet downloads.

## Product description

Connector element right, left housing with engagement pin, right closed with cover

## Technical data

General	
Number of levels	1
Number of connections	1

Color	gray
Insulating material	PA
Inflammability class according to UL 94	V0

**General**

Maximum load current	32 A (with 6 mm <sup>2</sup> conductor cross section)
Rated surge voltage	8 kV
Pollution degree	3
Surge voltage category	III
Insulating material group	I
Connection in acc. with standard	IEC 61984
Maximum load current (lower level)	32 A
Additional text	with 6 mm <sup>2</sup> conductor cross section
Nominal current I <sub>N</sub> (lower level)	32 A
Nominal voltage U <sub>N</sub>	800 V
Number of positions	1

**Dimensions**

Width	6.2 mm
Length	22 mm
Height	48.5 mm

**Connection data**

Connection in acc. with standard	IEC 61984
Connection method	Screw connection
Conductor cross section solid min.	0.14 mm <sup>2</sup>
Conductor cross section solid max.	6 mm <sup>2</sup>
Conductor cross section AWG/kcmil min.	26
Conductor cross section AWG/kcmil max	10
Conductor cross section stranded min.	0.14 mm <sup>2</sup>
Conductor cross section stranded max.	6 mm <sup>2</sup>
Min. AWG conductor cross section, stranded	26
Max. AWG conductor cross section, stranded	10
Conductor cross section stranded, with ferrule without plastic sleeve min.	0.14 mm <sup>2</sup>
Conductor cross section stranded, with ferrule without plastic sleeve max.	4 mm <sup>2</sup>

Conductor cross section stranded, with ferrule with plastic sleeve min.	0.14 mm <sup>2</sup>
Conductor cross section stranded, with ferrule with plastic sleeve max.	4 mm <sup>2</sup>
2 conductors with same cross section, solid min.	0.14 mm <sup>2</sup>
2 conductors with same cross section, solid max.	1.5 mm <sup>2</sup>
2 conductors with same cross section, stranded min.	0.14 mm <sup>2</sup>
2 conductors with same cross section, stranded max.	1.5 mm <sup>2</sup>
2 conductors with same cross section, stranded, TWIN ferrules with plastic sleeve, min.	0.5 mm <sup>2</sup>
2 conductors with same cross section, stranded, TWIN ferrules with plastic sleeve, max.	1 mm <sup>2</sup>
2 conductors with same cross section, stranded, ferrules without plastic sleeve, min.	0.14 mm <sup>2</sup>
2 conductors with same cross section, stranded, ferrules without plastic sleeve, max.	1.5 mm <sup>2</sup>
Stripping length	9 mm
Internal cylindrical gage	A4
Screw thread	M3
Tightening torque, min	0.6 Nm
Tightening torque max	0.8 Nm

### Certificates / Approvals



Certification

cULus Recognized

Certifications applied for:

Certification Ex:

### Accessories

Item	Designation	Description
<b>Assembly</b>		
3040591	PSH 3- 6	Shield connection clamp, Color: black

3040601	PSH 5-10	Shield connection clamp, Color: black
3045567	UPR/ 2	Latching, Number of positions: 2, Color: orange
3045570	UPRZ	Latching, Number of positions: 2, Color: orange
3045554	UPZ/ 2	Strain relief, Number of positions: 2, Color: black

**Bridges**

3030336	FBS 2-6	Plug-in bridge, Number of positions: 2, Color: red
3030242	FBS 3-6	Plug-in bridge, Number of positions: 3, Color: red
3030255	FBS 4-6	Plug-in bridge, Number of positions: 4, Color: red
3030349	FBS 5-6	Plug-in bridge, Number of positions: 5, Color: red
3030271	FBS 10-6	Plug-in bridge, Number of positions: 10, Color: red

**Connector/Adapter**

0201731	MPS-IH BK	Insulating sleeve, Color: black
0201689	MPS-IH BU	Insulating sleeve, Color: blue
0201702	MPS-IH GN	Insulating sleeve, Color: green
0201728	MPS-IH GY	Insulating sleeve, Color: gray
0201676	MPS-IH RD	Insulating sleeve, Color: red
0201663	MPS-IH WH	Insulating sleeve, Color: white
0201692	MPS-IH YE	Insulating sleeve, Color: yellow
0201744	MPS-MT	Test plugs, Color: silver
3032871	PAI-4-N GY	Test plugs, Color: gray
3030996	PS-6	Test plugs, Color: red
3038736	PS-6/2,3MM RD	Test plugs, Color: red

**Covers**

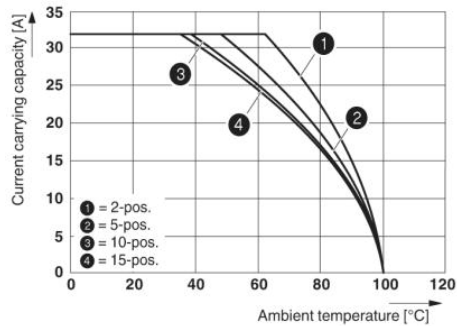
3060432	DF-UPBV 2,5/ 4	Flange cover, Length: 45.7 mm, Width: 4.5 mm, Height: 32 mm, Color: gray
3036738	DP PS-6	Spacer plate, Color: red

**Tools**

1205053	SZS 0,6X3,5	Actuation tool, for ST terminal blocks, insulated, also suitable for use as a bladed screwdriver, size: 0.6 x 3.5 x 100 mm, 2-component grip, with non-slip grip
---------	-------------	--

## Drawings

### Diagram

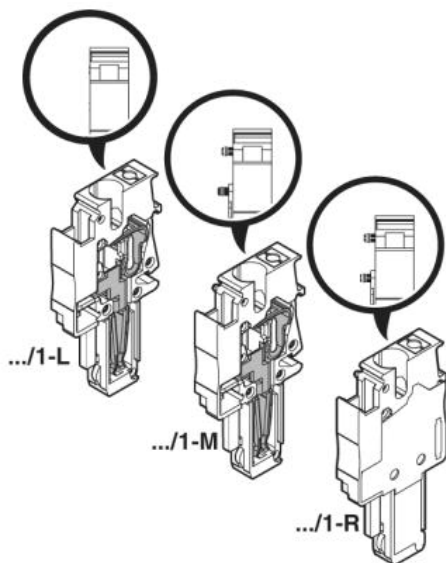


The figure shows the derating curve of the UT 4/1P... terminal block in connection with the UPVB 4 plug

### Circuit diagram



### Schematic diagram



**Address**

PHOENIX CONTACT Deutschland GmbH  
Flachmarktstr. 8  
32825 Blomberg, Germany  
Phone +49 5235 3 12000  
Fax +49 5235 3 41200  
<http://www.phoenixcontact.com>



© 2014 Phoenix Contact  
Technical modifications reserved;