

RF-12P2N8AAD00


Order No.: 1607257

The figure shows the product version with standard contact chamber numbering



<http://catalog.phoenixcontact.net/phoenix/treeViewClick.do?UID=1607257>

Device connector, front mounting, angled rotatable, Screw locking, M23, Number of positions: 12, Type of contact: Male connector, Crimp connection, Axial O-ring, 4xØ3,2, shielded: Yes, Flange dimensions: 26 mm x 26 mm

Commercial data	
EAN	4  046356 175036
Note	Made-to-order
sales group	D300
Pack	1 Pcs.
Customs tariff	85366990
Gross weight in pieces	0.13 KG
Net weight per piece	0.05698 KG
Catalog page information	Page 345 (C-2-2013)

Product notes

WEEE/RoHS-compliant since: 01/01/2003



<http://www.download.phoenixcontact.com>
Please note that the data given here has been taken from the online catalog. For comprehensive information and data, please refer to the user documentation. The General Terms and Conditions of Use apply to Internet downloads.

Technical data	
General	
Note	Order information Order crimp contacts Ø 1 mm separately
Type of locking	Screw locking
Direction of rotation of contact chamber numbering	Counter direction
Coding	N
Contact connection method	Crimp connection

Type of contacts	Male connector
Number of positions	12
Contact diameter of power contacts	1 mm
Nominal current per power contact at 25°C	8 A
Mounting type	4xØ3,2

Ambient conditions

Ambient temperature	-20 °C ... 125 °C
Degree of protection	IP67

Material

Housing material	Turned parts: copper zinc alloy (CuZn), die-cast parts: zinc (GD-Zn)
Insulator material	PA 66
Gasket and O-ring material	FPM

Specifications according to DIN EN 61984:2001

Installation height max.	2000 m
Nominal / operating voltage of power contacts	150 V
Rated surge voltage of power contacts	2.5 kV
Surge voltage category of power contacts	III
Pollution degree of power contacts	3
Surge voltage category of signal contacts	III
Pollution degree of signal contacts	3

Certificates / Approvals



Certification

cULus Recognized

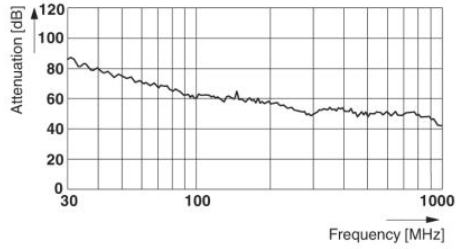
Certifications applied for:

Certification Ex:

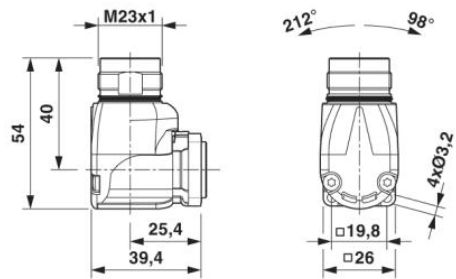
Accessories		
Item	Designation	Description
General		
1604225	RC-Z2059	Plastic dust protection cap for connectors with M23 external thread
1604228	RC-Z2062	Metal dust protection cap with steel wire for signal connectors with M23 knurled nuts
1604236	RC-Z2068	Metal dust protection cap with steel wire for signal connectors with M23 external thread
1611797	RC-Z2469	Plastic dust protection cap, anti-static, for RF, SF series connectors, with M23 external thread
1620624	RF-Z0017	Color-coding, Color: green
1620625	RF-Z0018	Color-coding, Color: orange
1620626	RF-Z0019	Color-coding, Color: black
1607355	SF-10KP004	Crimp contact, turned, Single contact, Contact diameter: 1 mm, Crimp range: 0.14 mm ² ...0.5 mm ²
1615961	SF-10KP320	Crimp contact, Rolled, Taped articles, Number of pieces per reel: 2500, Contact diameter: 1 mm, Crimp range: 0.06 mm ² ...0.25 mm ²
1615962	SF-10KP330	Crimp contact, Rolled, Taped articles, Number of pieces per reel: 10000, Contact diameter: 1 mm, Crimp range: 0.06 mm ² ...0.25 mm ²
1615963	SF-10KP350	Crimp contact, Rolled, Taped articles, Number of pieces per reel: 2500, Contact diameter: 1 mm, Crimp range: 0.2 mm ² ...0.56 mm ²
1615964	SF-10KP360	Crimp contact, Rolled, Taped articles, Number of pieces per reel: 10000, Contact diameter: 1 mm, Crimp range: 0.2 mm ² ...0.56 mm ²
1605554	SF-6AP2000	Crimp contact, turned, Single contact, Contact diameter: 1 mm, Crimp range: 0.25 mm ² ...1 mm ²
1605559	SF-6CP2000	Crimp contact, turned, Single contact, Contact diameter: 1 mm, Crimp range: 0.06 mm ² ...0.25 mm ²
1607449	SF-Z0019	Plastic dust protection cap with IP40 eye for connectors with M23 external thread, RF, SF series

Drawings

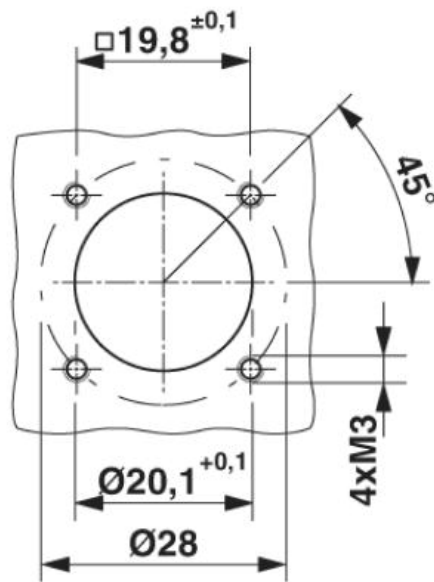
Diagram



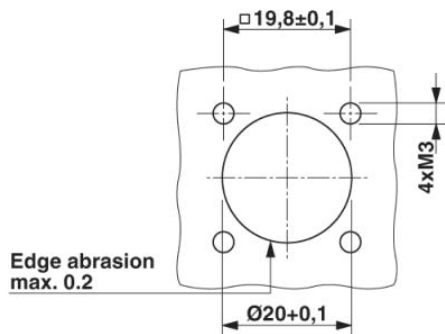
Dimensioned drawing



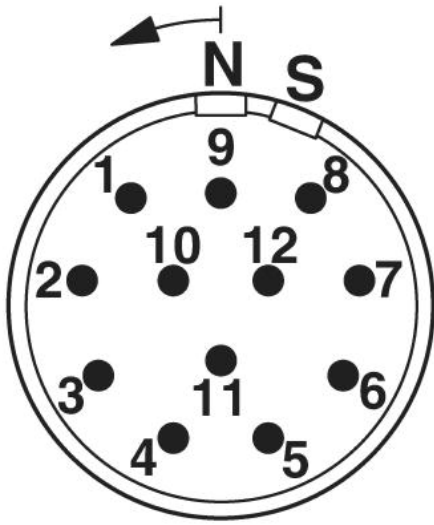
Dimensional drawing



Installation dimensions



Schematic diagram



Address

PHOENIX CONTACT Deutschland GmbH
Flachmarktstr. 8
32825 Blomberg, Germany
Phone +49 5235 3 12000
Fax +49 5235 3 41200
<http://www.phoenixcontact.com>



© 2014 Phoenix Contact
Technical modifications reserved;