

VS-15-SD


Order No.: 1887099



<http://catalog.phoenixcontact.net/phoenix/treeViewClick.do?UID=1887099>

D-SUB protective cover, shell size 2, IP54 degree of protection, for panel mounting frame and sleeve housing VS-15-...

Commercial data

| | |
|--------------------------|---|
| EAN |  4 017918 817473 |
| sales group | D500 |
| Pack | 5 Pcs. |
| Customs tariff | 85389099 |
| Gross weight in pieces | 0.00796 KG |
| Net weight per piece | 0.00796 KG |
| Catalog page information | Page 219 (C-2-2013) |

Product notes

WEEE/RoHS-compliant since:
01/01/2003



<http://www.download.phoenixcontact.com>
Please note that the data given here has been taken from the online catalog. For comprehensive information and data, please refer to the user documentation. The General Terms and Conditions of Use apply to Internet downloads.

Technical data

Mechanical characteristics

| | |
|-----------------------------|---------|
| Locking type | Without |
| Insertion/withdrawal cycles | ≥ 1000 |
| Color | gray |

Ambient conditions

| | |
|---------------------------------|------------------|
| Ambient temperature (operation) | -40 °C ... 80 °C |
|---------------------------------|------------------|

| | |
|---|---------|
| Degree of protection | IP54 |
| Material data | |
| Inflammability class according to UL 94 | V0 |
| Housing material | PA |
| Material | Plastic |

Certificates / Approvals

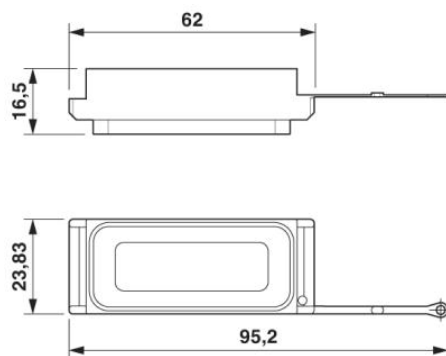
Certification

Certifications applied for:

Certification Ex:

Drawings

Dimensioned drawing



Protective cover for D-SUB

Address

PHOENIX CONTACT Deutschland GmbH
Flachmarktstr. 8
32825 Blomberg, Germany
Phone +49 5235 3 12000
Fax +49 5235 3 41200
<http://www.phoenixcontact.com>



© 2014 Phoenix Contact
Technical modifications reserved;