


VS-15-A

Order No.: 1688036




<http://catalog.phoenixcontact.net/phoenix/treeViewClick.do?UID=1688036>

D-SUB panel mounting frame, shell size 2, IP67 degree of protection

Commercial data	
EAN	 4 017918 179694
sales group	D500
Pack	5 Pcs.
Customs tariff	85389099
Gross weight in pieces	0.00999 KG
Net weight per piece	0.00982 KG
Catalog page information	Page 220 (C-2-2013)

Product notes

WEEE/RoHS-compliant since:
05/10/2006



<http://www.download.phoenixcontact.com>
Please note that the data given here has been taken from the online catalog. For comprehensive information and data, please refer to the user documentation. The General Terms and Conditions of Use apply to Internet downloads.

Technical data

Dimensions	
Height	16.8 mm
Ambient conditions	
Degree of protection	IP67
Ambient temperature (operation)	-40 °C ... 80 °C
General	
Type	D-SUB 15
Degree of protection	IP67

Inflammability class according to UL 94	V0
Housing material	PA
Seal material	Flat gasket: NBR; profile gasket: EPDM
Ambient temperature (operation)	-40 °C ... 80 °C

Certificates / Approvals

Certification

Certifications applied for:

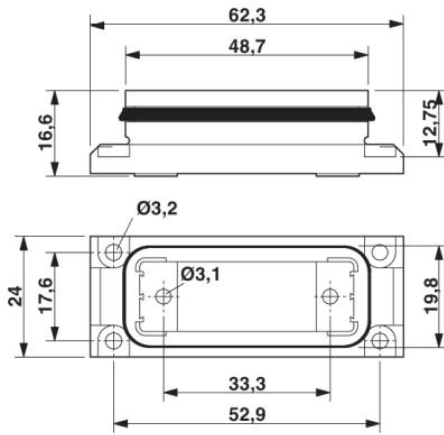
Certification Ex:

Accessories

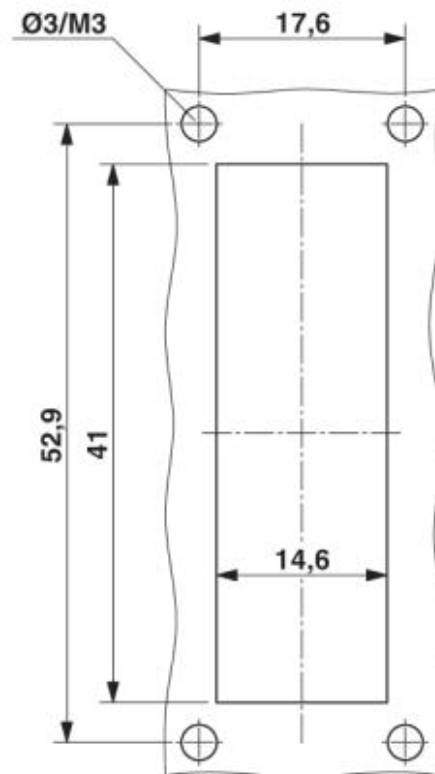
Item	Designation	Description
General		
1688049	VS-15-A-EMV-S	D-SUB EMC shroud, shell size 2, shielded, for panel mounting frame VS-15-...
Protective covers		
1887099	VS-15-SD	D-SUB protective cover, shell size 2, IP54 degree of protection, for panel mounting frame and sleeve housing VS-15-...

Drawings

Dimensioned drawing



D-SUB panel mounting frame



Panel cutout

Address

PHOENIX CONTACT Deutschland GmbH
Flachmarktstr. 8
32825 Blomberg, Germany
Phone +49 5235 3 12000
Fax +49 5235 3 41200
<http://www.phoenixcontact.com>



© 2014 Phoenix Contact
Technical modifications reserved;