


NS 35/ 7,5 PERF 755MM

Order No.: 1207640

<http://catalog.phoenixcontact.net/phoenix/treeViewClick.do?UID=1207640>

DIN rail, material: steel galvanized and passivated with a thick layer,
perforated, height 7.5 mm, width 35 mm, length: 755 mm

Commercial data

EAN	 4 017918 932640
sales group	B202
Pack	10 Pcs.
Customs tariff	72166190
Gross weight in pieces	0.24 KG
Net weight per piece	0.24 KG
Catalog page information	Page 491 (C-5-2013)

Product notes

WEEE/RoHS-compliant since:
07/13/2006



<http://www.download.phoenixcontact.com>
Please note that the data given here has been taken from the online catalog. For comprehensive information and data, please refer to the user documentation. The General Terms and Conditions of Use apply to Internet downloads.

Technical data**Dimensions**

Height	7.5 mm
Length	755 mm
Width	35 mm

General

Material	Steel
----------	-------

Coating	Galvanized, passivated with a thick layer
Color	silver
Test standard	In acc. with EN 60715: 2001
Nominal current I_N	1920 A

Certificates / Approvals

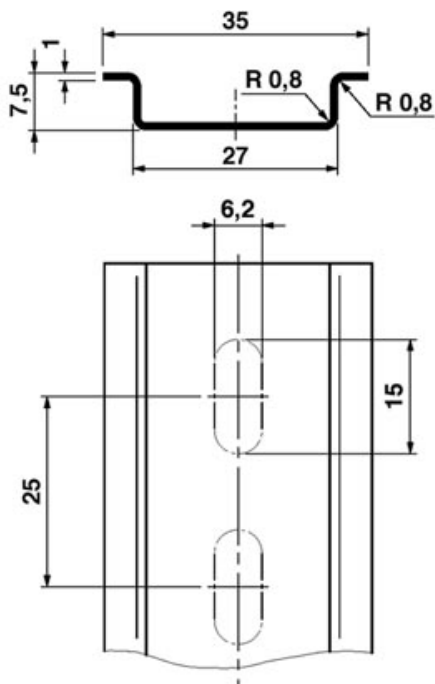
Certification

Certifications applied for:

Certification Ex:

Drawings

Dimensioned drawing



Address

PHOENIX CONTACT Deutschland GmbH
Flachmarktstr. 8
32825 Blomberg, Germany
Phone +49 5235 3 12000
Fax +49 5235 3 41200
<http://www.phoenixcontact.com>



© 2014 Phoenix Contact
Technical modifications reserved;