


**NS 35/7,5 WHPERF(5,2X25)2000MM**

Order No.: 1206418

<http://catalog.phoenixcontact.net/phoenix/treeViewClick.do?UID=1206418>

DIN rail 35 mm (NS 35)

**Commercial data**

EAN	 4 017918 170820
Note	Made-to-order
sales group	B202
Pack	5 Pcs.
Customs tariff	72166190
Gross weight in pieces	0.64 KG
Net weight per piece	0.64 KG

**Product notes**WEEE/RoHS-compliant since:  
01/01/2003

<http://www.download.phoenixcontact.com>  
Please note that the data given here has been taken from the online catalog. For comprehensive information and data, please refer to the user documentation. The General Terms and Conditions of Use apply to Internet downloads.

**Technical data****Dimensions**

Height	7.5 mm
Length	2000 mm
Width	35 mm

**General**

Material	Steel
Coating	Galvanized, white passivated

Color	white
Test standard	In acc. with EN 60715: 2001
Nominal current $I_N$	1920 A

### Certificates / Approvals

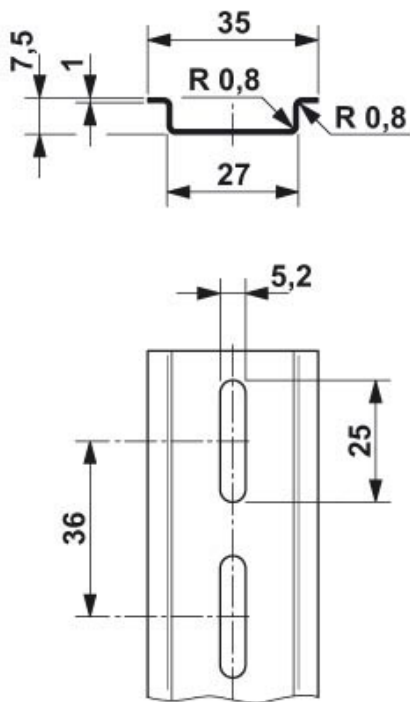
Certification

Certifications applied for:

Certification Ex:

### Drawings

Dimensioned drawing



**Address**

PHOENIX CONTACT Deutschland GmbH  
Flachmarktstr. 8  
32825 Blomberg, Germany  
Phone +49 5235 3 12000  
Fax +49 5235 3 41200  
<http://www.phoenixcontact.com>



© 2014 Phoenix Contact  
Technical modifications reserved;