


SF-7EP1N8AAD00

Order No.: 1605586



<http://catalog.phoenixcontact.net/phoenix/treeViewClick.do?UID=1605586>

Device connector, front mounting, angled rotatable, Screw locking, M23, Number of positions: 4+3+PE, Type of contact: Male connector, Crimp connection, Axial O-ring, 4xØ3,2, shielded: Yes, Flange dimensions: 26 mm x 26 mm, Cable diameter: 0 mm...0 mm

Commercial data	
EAN	 4 046356 182201
Note	Made-to-order
sales group	D300
Pack	1 Pcs.
Customs tariff	85366990
Gross weight in pieces	0.1239 KG
Net weight per piece	0.11847 KG
Catalog page information	Page 81 (PC-2011)

Product notes

WEEE/RoHS-compliant since:
01/01/2003



<http://www.download.phoenixcontact.com>
Please note that the data given here has been taken from the online catalog. For comprehensive information and data, please refer to the user documentation. The General Terms and Conditions of Use apply to Internet downloads.

Technical data	
General	
Note	Order information Order crimp contacts 4 x Ø 1 mm, 4 x Ø 2 mm separately
Type of locking	Screw locking
Coding	N
Contact connection method	Crimp connection
Type of contacts	Male connector

Number of positions	8
Contact diameter of power contacts	2 mm
Nominal current per power contact at 25°C	30 A
Contact diameter of signal contacts	1 mm
Nominal current per signal contact at 25°C	9 A
Conductor entry	0 mm ... 0 mm
Mounting type	4xØ3,2

Ambient conditions

Ambient temperature	-20 °C ... 125 °C
Degree of protection	IP67

Material

Housing material	Turned parts: copper zinc alloy (CuZn), die-cast parts: zinc (GD-Zn)
Insulator material	PA 66
Gasket and O-ring material	FPM

Specifications according to DIN EN 61984:2001

Installation height max.	3000 m
Nominal / operating voltage of power contacts	630 V
Rated surge voltage of power contacts	6 kV
Surge voltage category of power contacts	III
Pollution degree of power contacts	3
Nominal / operating voltage of signal contacts	250 V
Rated surge voltage of signal contacts	4 kV
Surge voltage category of signal contacts	III
Pollution degree of signal contacts	3

Certificates / Approvals



Certification

cULus Recognized

Certifications applied for:

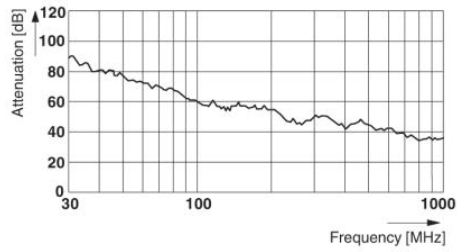
Certification Ex:

Accessories

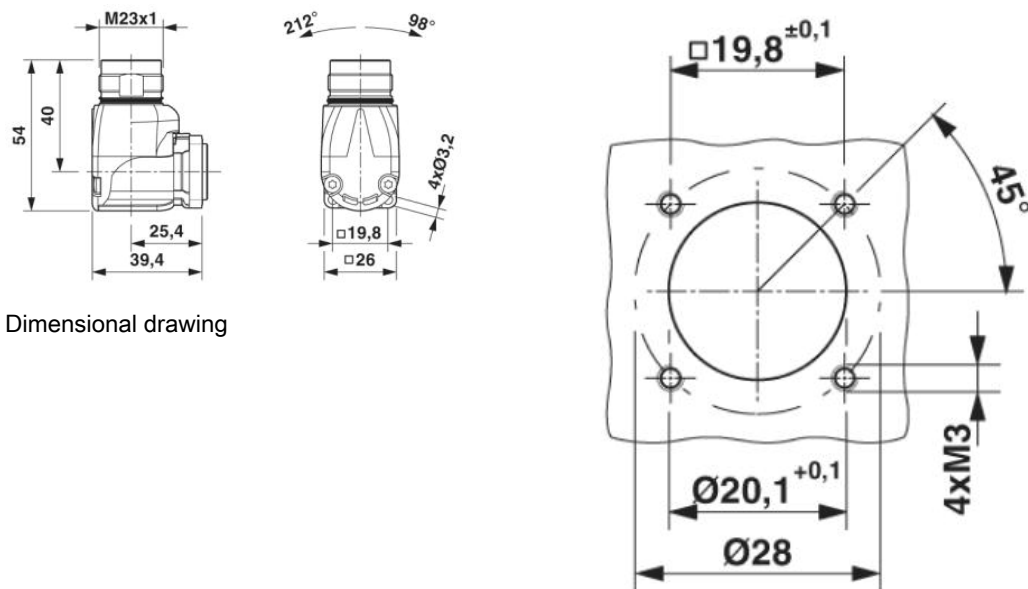
Item	Designation	Description
General		
1604225	RC-Z2059	Plastic dust protection cap for connectors with M23 external thread
1611797	RC-Z2469	Plastic dust protection cap, anti-static, for RF, SF series connectors, with M23 external thread
1605456	SC-Z2319	Metal dust protection cap for power plugs with M23 external thread
1605457	SC-Z2320	Metal dust protection cap with steel wire for power plugs with M23 external thread
1607355	SF-10KP004	Crimp contact, turned, Single contact, Contact diameter: 1 mm, Crimp range: 0.14 mm ² ...0.5 mm ²
1607376	SF-20KP004	Crimp contact, turned, Contact diameter: 2 mm, Crimp range: 0.75 mm ² ...1.5 mm ²
1605554	SF-6AP2000	Crimp contact, turned, Single contact, Contact diameter: 1 mm, Crimp range: 0.25 mm ² ...1 mm ²
1605559	SF-6CP2000	Crimp contact, turned, Single contact, Contact diameter: 1 mm, Crimp range: 0.06 mm ² ...0.25 mm ²
1605626	SF-7MP2000	Crimp contact, turned, Single contact, Contact diameter: 2 mm, Crimp range: 4 mm ² ...4 mm ²
1605634	SF-7PP2000	Crimp contact, turned, Single contact, Contact diameter: 2 mm, Crimp range: 0.25 mm ² ...1 mm ²
1605639	SF-7QP2000	Crimp contact, turned, Single contact, Contact diameter: 2 mm, Crimp range: 1 mm ² ...2.5 mm ²
1605646	SF-7RP2000	Crimp contact, turned, Single contact, Contact diameter: 2 mm, Crimp range: 0.14 mm ² ...0.25 mm ²
1607449	SF-Z0019	Plastic dust protection cap with IP40 eye for connectors with M23 external thread, RF, SF series

Drawings

Diagram



Dimensioned drawing

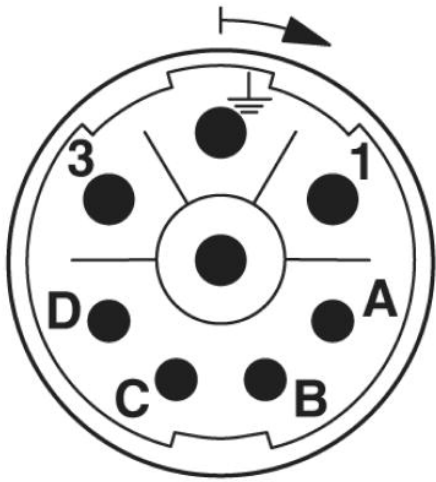


Dimensional drawing

Installation dimensions

Schematic diagram

Connector pin assignment



Address

PHOENIX CONTACT Deutschland GmbH
Flachmarktstr. 8
32825 Blomberg, Germany
Phone +49 5235 3 12000
Fax +49 5235 3 41200
<http://www.phoenixcontact.com>



© 2014 Phoenix Contact
Technical modifications reserved;