


# SACC-M12MR-12SOL-PG 9-M

Order No.: 1404421

<http://catalog.phoenixcontact.net/phoenix/treeViewClick.do?UID=1404421>

Connector, Universal, 12-position, Plug angled M12, A-coded, Solder connection, Knurl material: Zinc die-cast, nickel-plated, Cable gland Pg9, External cable diameter 6 mm ... 8 mm

Commercial data	
EAN	 4 046356 694537
sales group	D122
Pack	1 Pcs.
Customs tariff	85366990
Gross weight in pieces	0.021 KG
Net weight per piece	0.021 KG
Catalog page information	Page 19 (C-4-2013)

**Product notes**

WEEE/RoHS-compliant since:  
09/06/2011



<http://www.download.phoenixcontact.com>  
Please note that the data given here has been taken from the online catalog. For comprehensive information and data, please refer to the user documentation. The General Terms and Conditions of Use apply to Internet downloads.

Technical data	
<b>Dimensions</b>	
External diameter	6 mm ... 8 mm
<b>Ambient conditions</b>	
Ambient temperature (operation)	-40 °C ... 85 °C (Plug / socket)
Degree of protection	IP67

### General

Rated current at 40°C	1 A
Rated voltage	30 V
Number of positions	12
Contact resistance	≤ 3 mΩ
Insulation resistance	> 10 GΩ
Coding	A - standard
Standards/regulations	M12 connector IEC 61076-2-101
Signal type/category	Universal
Status display	No
Surge voltage category	II
Pollution degree	3
Connection method	Solder connection
Conductor cross section	0.08 mm <sup>2</sup> ... 0.25 mm <sup>2</sup>
AWG conductor cross section	30 ... 24
Insertion/withdrawal cycles	≥ 100
Torque	0.4 Nm (M12 knurl)
Assembly instructions	The connector pin assignment can be rotated 90° to the cable outlet

### Material

Contact material	CuSn
Contact surface material	Au
Contact carrier material	PA
Material of grip body	PA
Material, knurls	Zinc die-cast, nickel-plated

### Certificates / Approvals

Certification

Certifications applied for:

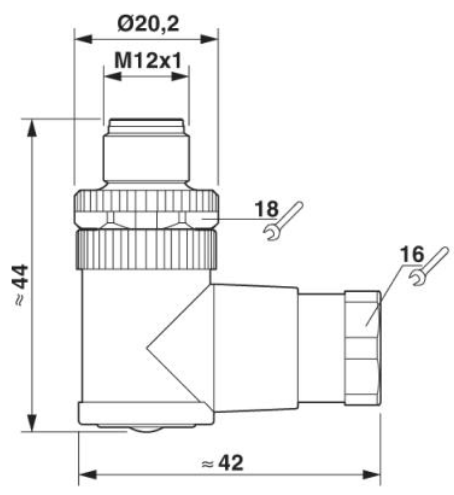
Certification Ex:

---

**Drawings**

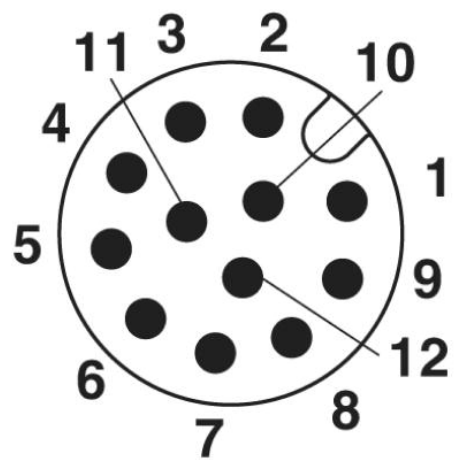
Dimensioned drawing

M12 x 1 male plug, angled



Schematic diagram

Pin assignment of M12 male connector, 12-pos., A-coded, view of pin side



**Address**

PHOENIX CONTACT Deutschland GmbH  
Flachmarktstr. 8  
32825 Blomberg, Germany  
Phone +49 5235 3 12000  
Fax +49 5235 3 41200  
<http://www.phoenixcontact.com>



© 2014 Phoenix Contact  
Technical modifications reserved;