


**WCC 22**

Order No.: 3240254

<http://catalog.phoenixcontact.net/phoenix/treeViewClick.do?UID=3240254>

Cable clamp, for DIN rails

Commercial data	
EAN	 4 046356 464567
sales group	B226
Pack	25 Pcs.
Customs tariff	73269098
Gross weight in pieces	0.040804 KG
Net weight per piece	0.040804 KG
Catalog page information	Page 547 (C-5-2013)

## Product notes

WEEE/RoHS-compliant since:  
10/28/2008

<http://www.download.phoenixcontact.com>  
Please note that the data given here has been taken from the online catalog. For comprehensive information and data, please refer to the user documentation. The General Terms and Conditions of Use apply to Internet downloads.

**Technical data**

General	
Material	Steel

**Certificates / Approvals**

Certification

Certifications applied for:

Certification Ex:

---

### Accessories

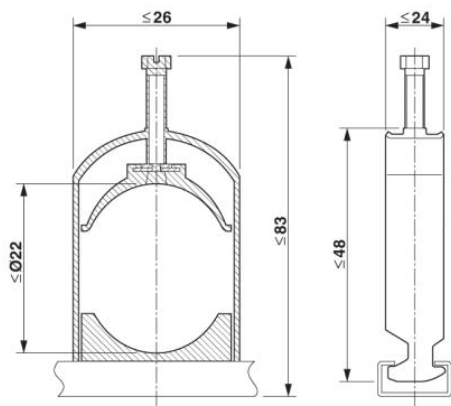
Item	Designation	Description
------	-------------	-------------

### Assembly

3240262	NS 30/15 PERF.2000MM	DIN rails, for accommodating cable clamps
---------	----------------------	---

### Drawings

Dimensioned drawing



**Address**

PHOENIX CONTACT Deutschland GmbH  
Flachmarktstr. 8  
32825 Blomberg, Germany  
Phone +49 5235 3 12000  
Fax +49 5235 3 41200  
<http://www.phoenixcontact.com>



© 2014 Phoenix Contact  
Technical modifications reserved;