


WCC 14

Order No.: 3240252

<http://catalog.phoenixcontact.net/phoenix/treeViewClick.do?UID=3240252>

Cable clamp, for DIN rails

Commercial data	
EAN	 4 046356 464543
sales group	B226
Pack	25 Pcs.
Customs tariff	73269098
Gross weight in pieces	0.03506 KG
Net weight per piece	0.03506 KG
Catalog page information	Page 547 (C-5-2013)

Product notes

WEEE/RoHS-compliant since:
10/28/2008

<http://www.download.phoenixcontact.com>
Please note that the data given here has been taken from the online catalog. For comprehensive information and data, please refer to the user documentation. The General Terms and Conditions of Use apply to Internet downloads.

Technical data

General	
Material	Steel

Certificates / Approvals

Certification

Certifications applied for:

Certification Ex:

Accessories

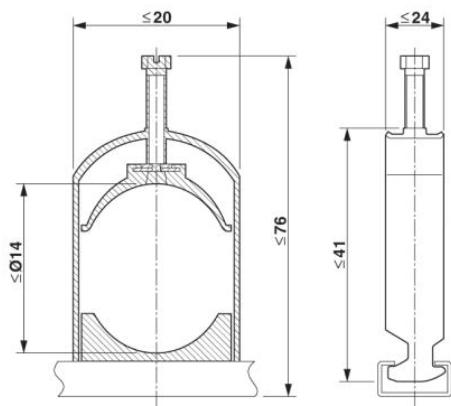
Item	Designation	Description
------	-------------	-------------

Assembly

3240262	NS 30/15 PERF.2000MM	DIN rails, for accommodating cable clamps
---------	----------------------	---

Drawings

Dimensioned drawing



Address

PHOENIX CONTACT Deutschland GmbH
Flachmarktstr. 8
32825 Blomberg, Germany
Phone +49 5235 3 12000
Fax +49 5235 3 41200
<http://www.phoenixcontact.com>



© 2014 Phoenix Contact
Technical modifications reserved;