


**SACC-DSI-M12FSD-4CON-M16 SH**

Order No.: 1441875

<http://catalog.phoenixcontact.net/phoenix/treeViewClick.do?UID=1441875>

Bus system flush-type socket, Ethernet and PROFINET, 4-pos. with shield contact, M12 SPEEDCON, shielded, D-coded, rear/screw mounting with M16 thread, with straight solder connection

**Commercial data**

EAN	 4 046356 534079
sales group	D125
Pack	20 Pcs.
Customs tariff	85366990
Gross weight in pieces	0.014275 KG
Net weight per piece	0.014275 KG
Catalog page information	Page 251 (C-2-2013)

**Product notes**

WEEE/RoHS-compliant since:  
09/29/2009



<http://www.download.phoenixcontact.com>  
Please note that the data given here has been taken from the online catalog. For comprehensive information and data, please refer to the user documentation. The General Terms and Conditions of Use apply to Internet downloads.

**Technical data****Dimensions**

Length of the solder pin	6 mm
--------------------------	------

**Ambient conditions**

Ambient temperature (operation)	-25 °C ... 85 °C (Plug / socket)
	-40 °C ... 85 °C (without mechanical actuation)
Degree of protection	IP67

### General

Note	The electrical and mechanical data specified assume that the connector pair is correctly locked and mounted. If the connector is unlocked and if there is a danger of contamination, the connector must be sealed using a protective cap > IP54. Influences arising from litz wires, cables or PCB assembly must also be taken into consideration.
Rated current at 40°C	4 A
Rated voltage	250 V
Number of positions	4
Contact resistance	≤ 3 mΩ
Insulation resistance	≥ 100 MΩ
Coding	D - data
Standards/regulations	M12 connector IEC 61076-2-101
Status display	No
Surge voltage category	II
Pollution degree	3
Connection method	Solder pins
Insertion/withdrawal cycles	> 100
Torque	3 Nm ... 4 Nm (Installation-side)
Mounting type	Rear mounting M16 x 1.5 With flat nut

### Material

Inflammability class according to UL 94	V0
Contact material	CuZn
Contact surface material	Au
Contact carrier material	PA 66
Material, knurls	Zinc die-cast, nickel-plated
Sealing material	NBR

### Cable

Ambient temperature (operation)	-40 °C ... 85 °C (cable, fixed installation)
	-25 °C ... 85 °C (cable, flexible installation)

### Certificates / Approvals



Certification

GOST, UL Recognized

Certifications applied for:

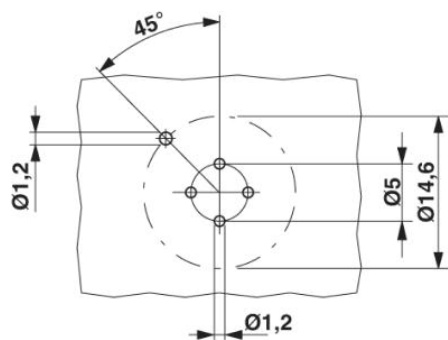
Certification Ex:

### Accessories

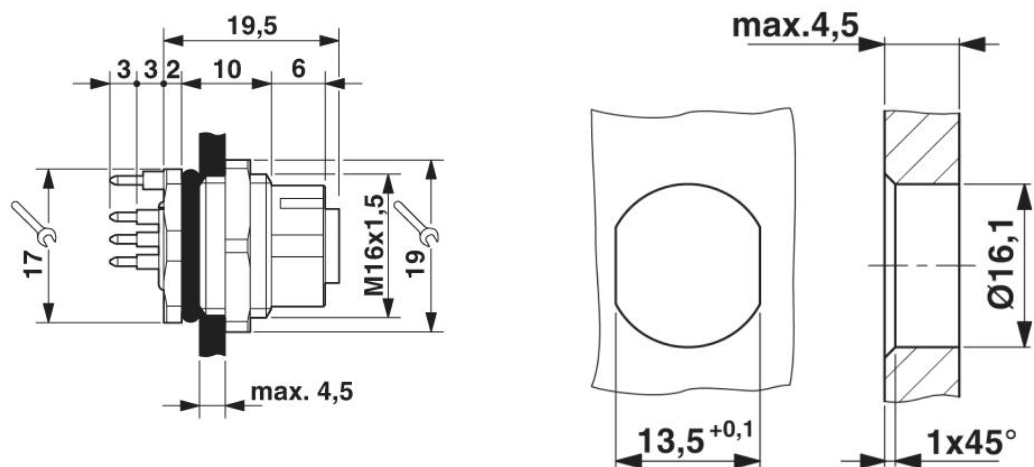
Item	Designation	Description
<b>General</b>		
1430394	SACC-M16-SEAL CLM	M16 flat gasket, for rear mounting of M12 flush-type connectors with M16 fastening thread
<b>Protection and sealing elements</b>		
1680539	PROT-M12	An M12 screw plug for the unoccupied M12 sockets of the sensor/ actuator cable, boxes and flush-type connectors
1555538	PROT-M12 FB	M12 high-grade steel screw plug, for unoccupied M12 sockets of the sensor/actuator cables, boxes and flush-type connectors for the food industry
1503302	PROT-M12 SH	An M12 screw plug for the unoccupied M12 sockets of the shielded sensor/actuator cable, boxes and flush-type connectors

### Drawings

Drilling plan/solder pad geometry

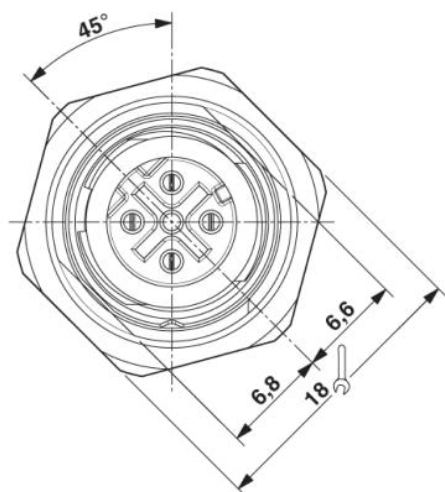


Dimensioned drawing



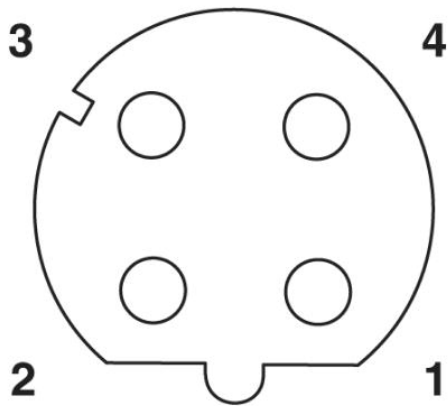
Housing cutout for M16 fastening thread,  
mounting panel with feed-through hole  
(alternatively with surface as protection  
against rotation)

M12 front view



Schematic diagram

Pin assignment M12 socket, 4-pos., D-coded, female side



**Address**

PHOENIX CONTACT Deutschland GmbH  
Flachmarktstr. 8  
32825 Blomberg, Germany  
Phone +49 5235 3 12000  
Fax +49 5235 3 41200  
<http://www.phoenixcontact.com>



© 2014 Phoenix Contact  
Technical modifications reserved;