

# SACC-E-M12FS-4CON-PG9/0,5 FFVA

Order No.: 1431429




<http://catalog.phoenixcontact.net/phoenix/treeViewClick.do?UID=1431429>

Bus system flush-type connector, FOUNDATION Fieldbus, socket, 4-pos., M12, A-coded, front/screw mounting with Pg9 thread, with 0.5 m TPE litz wire, 3 x 0.34 mm<sup>2</sup>, stainless steel version



## Commercial data

EAN	 4 046356 457538
Note	Made-to-order
sales group	D125
Pack	1 Pcs.
Customs tariff	85444290
Gross weight in pieces	0.0204 KG
Net weight per piece	0.0204 KG
Catalog page information	Page 193 (C-2-2013)

## Product notes

WEEE/RoHS-compliant since:  
10/01/2008



<http://www.download.phoenixcontact.com>  
Please note that the data given here has been taken from the online catalog. For comprehensive information and data, please refer to the user documentation. The General Terms and Conditions of Use apply to Internet downloads.

## Technical data

### Dimensions

Length of cable	0.5 m
-----------------	-------

### Ambient conditions

Ambient temperature (operation)	-25 °C ... 85 °C (Plug / socket)
Degree of protection	IP67

### General

Rated current at 40°C	4 A
Rated voltage	250 V
Number of positions	3
Contact resistance	≤ 3 mΩ
Insulation resistance	≥ 100 MΩ
Coding	A - standard
Standards/regulations	M12 connector IEC 61076-2-101
Status display	No
Surge voltage category	II
Pollution degree	3
Connection method	Individual wires

### Material

Inflammability class according to UL 94	V0
Contact material	CuZn
Contact surface material	Ni/Au
Contact carrier material	PA66 GF
Material, knurls	High-grade steel
Sealing material	FKM

### Certificates / Approvals



Certification

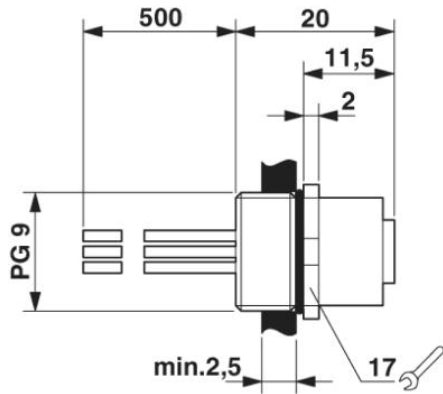
GOST, UL Recognized

Certifications applied for:

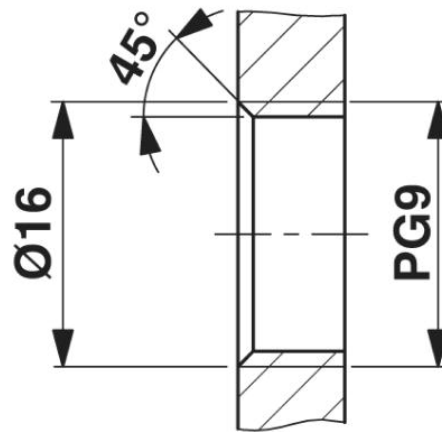
Certification Ex:

## Drawings

### Dimensioned drawing

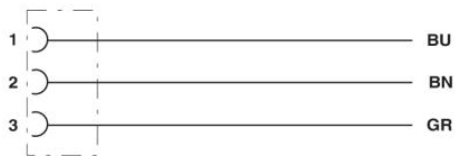


M12 flush-type connector



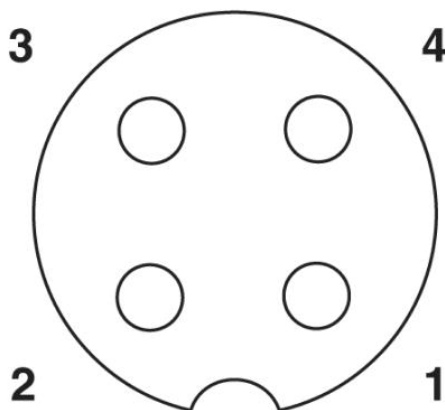
Housing cutout for Pg9 fastening thread,  
mounting panel with thread

### Circuit diagram



Contact assignment of the M12 plug and the M12 socket

### Schematic diagram



Pin assignment M12 socket, 4-pos., A-coded, view female side

**Address**

PHOENIX CONTACT Deutschland GmbH  
Flachmarktstr. 8  
32825 Blomberg, Germany  
Phone +49 5235 3 12000  
Fax +49 5235 3 41200  
<http://www.phoenixcontact.com>



© 2014 Phoenix Contact  
Technical modifications reserved;