

# REL-PR2-230AC/2X21


Order No.: 2903701

The figure shows version REL-PR2- 24DC/2X21



<http://catalog.phoenixcontact.net/phoenix/treeViewClick.do?UID=2903701>

Plug-in high-power relay with power contacts, 2 PDTs, coil voltage: 230 V AC

Commercial data	
EAN	4  046356 759137
sales group	G082
Pack	1 Pcs.
Customs tariff	85364900
Gross weight in pieces	0.0816 KG
Net weight per piece	0.0816 KG
Catalog page information	Page 300 (C-7-2013)

### Product notes

WEEE/RoHS-compliant since: 07/05/2012



<http://www.download.phoenixcontact.com>  
Please note that the data given here has been taken from the online catalog. For comprehensive information and data, please refer to the user documentation. The General Terms and Conditions of Use apply to Internet downloads.

Technical data	
<b>Dimensions</b>	
Width	38.6 mm
Height	45.5 mm
Depth	36.1 mm
<b>Ambient conditions</b>	
Ambient temperature (operation)	-40 °C ... 55 °C

Ambient temperature (storage/transport)	-40 °C ... 85 °C
<b>Coil side</b>	
Nominal input voltage $U_N$	230 V AC
Input voltage range in reference to $U_N$	see diagram
Typical input current at $U_N$	12 mA
Typical response time	5 ms ... 25 ms (depending on phase relation)
Typical release time range	5 ms ... 20 ms (depending on phase relation)
Status display	Yellow LED
<b>Contact side</b>	
Contact type	2 PDT
Contact material	AgNi
Maximum switching voltage	440 V AC 250 V DC
Minimum switching voltage	10 V (At 24 mA)
Maximum inrush current	50 A (20 ms, N/O contact)
Min. switching current	10 mA (at 24 V)
Limiting continuous current	16 A
Interrupting rating (ohmic load) max.	384 W (at 24 V DC) 124 W (at 48 V DC) 108 W (at 60 V DC) 52 W (at 110 V DC) 70 W (at 220 V DC) 4000 VA (for 250 V AC) 4000 VA (At 440 V AC)
Switching capacity in acc. with DIN VDE 0660/IEC 60947	2 A (at 24 V, DC13) 0.22 A (at 120 V, DC13) 0.11 A (at 250 V, DC13) 3 A (at 120 V, AC15) 1.5 A (at 240 V, AC15)
Single-phase motor load	800 W (at 230 V, AC3)
Motor load according to UL 508	1/3 HP, 120 V AC (single-phase AC motor) 1/2 HP, 240 V AC (single-phase AC motor)

**General**

Test voltage relay winding/relay contact	2.5 kV <sub>rms</sub> (50 Hz, 1 min.)
Test voltage relay contact/relay contact	2.5 kV <sub>rms</sub> (50 Hz, 1 min.)
Test voltage PDT/PDT	2.5 kV <sub>rms</sub> (50 Hz, 1 min.)
Operating mode	100% operating factor
Degree of protection	RT I
Mechanical service life	Approx. 10 <sup>7</sup> cycles
Designation	Air and creepage distances between the power circuits
Standards/regulations	IEC 60664
Rated insulation voltage	250 V AC
Pollution degree	3
Surge voltage category	III
Designation	Standards/regulations
Standards/regulations	IEC 61810
Mounting position	any

**Connection data**

Connection method	Plug connection
-------------------	-----------------

**Certificates / Approvals**



Certification CSA, cULus Recognized

Certifications applied for:

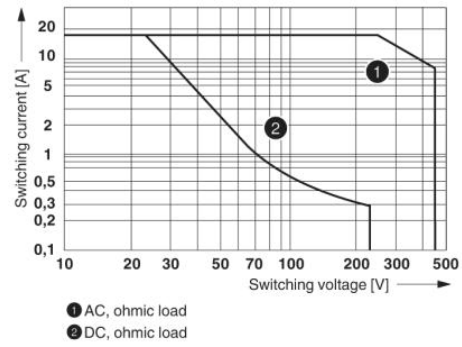
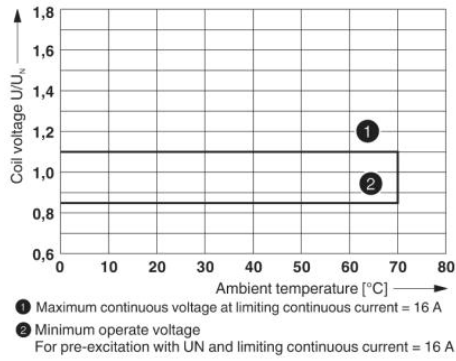
Certification Ex:

**Accessories**

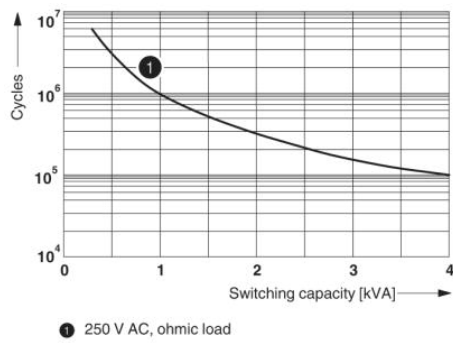
Item	Designation	Description
<b>Relay base</b>		
2900961	RIF-4-BPT/3X21	RIF-4... relay base, for high-power relay with 2 or 3 PDTs or 3 N/O contacts, push-in connection, plug-in option for input/suppressor modules, for mounting on NS 35/7,5

**Drawings**

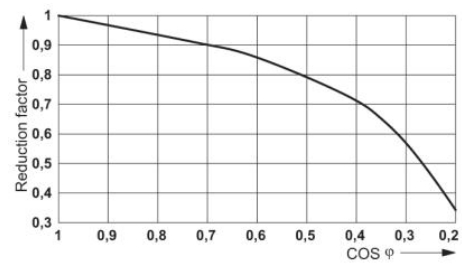
**Diagram**



**Operating voltage range**



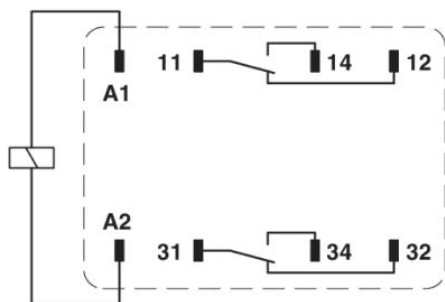
**Interrupting rating**



**Service life reduction factor**

**Electrical service life**

**Circuit diagram**



**Address**

PHOENIX CONTACT Deutschland GmbH  
Flachmarktstr. 8  
32825 Blomberg, Germany  
Phone +49 5235 3 12000  
Fax +49 5235 3 41200  
<http://www.phoenixcontact.com>



© 2014 Phoenix Contact  
Technical modifications reserved;