

# REL-IR2/L- 24AC/2X21


Order No.: 2903666

The figure shows version REL-IR2/LDP- 24DC/2X21



<http://catalog.phoenixcontact.net/phoenix/treeViewClick.do?UID=2903666>

Plug-in industrial relay with power contacts, 2 PDTs, test key, status LED, mechanical switch position indicator, input voltage: 24 V AC

Commercial data	
EAN	4 046356 758192 
sales group	G082
Pack	10 Pcs.
Customs tariff	85364190
Gross weight in pieces	0.03474 KG
Net weight per piece	0.03474 KG
Catalog page information	Page 292 (C-7-2013)

### Product notes

WEEE/RoHS-compliant since: 07/03/2012



<http://www.download.phoenixcontact.com>  
Please note that the data given here has been taken from the online catalog. For comprehensive information and data, please refer to the user documentation. The General Terms and Conditions of Use apply to Internet downloads.

Technical data	
<b>Dimensions</b>	
Width	21.2 mm
Height	35.6 mm
Depth	27.5 mm
<b>Ambient conditions</b>	
Ambient temperature (operation)	-40 °C ... 55 °C

Ambient temperature (storage/transport)	-40 °C ... 85 °C
<b>Coil side</b>	
Nominal input voltage $U_N$	24 V AC
Input voltage range in reference to $U_N$	see diagram
Typical input current at $U_N$	70 mA
Typical response time	5 ms ... 15 ms (depending on phase relation)
Typical release time range	5 ms ... 20 ms (depending on phase relation)
Status display	Yellow LED
<b>Contact side</b>	
Contact type	2 PDT
Contact material	AgNi
Maximum switching voltage	250 V AC/DC
Minimum switching voltage	5 V (At 24 mA)
Maximum inrush current	30 A (20 ms, N/O contact)
Min. switching current	5 mA (at 24 V)
Limiting continuous current	12 A
Interrupting rating (ohmic load) max.	288 W (at 24 V DC)
	124 W (at 48 V DC)
	108 W (at 60 V DC)
	52 W (at 110 V DC)
	48 W (at 220 V DC)
	3000 VA (for 250 V AC)
Switching capacity min.	0.12 W
Switching capacity in acc. with DIN VDE 0660/IEC 60947	2 A (at 24 V, DC13)
	0.22 A (at 120 V, DC13)
	0.11 A (at 250 V, DC13)
	3 A (at 120 V, AC15)
	1.5 A (at 240 V, AC15)
<b>General</b>	
Test voltage relay winding/relay contact	2.5 kV <sub>rms</sub> (50 Hz, 1 min.)
Test voltage relay contact/relay contact	2.5 kV <sub>rms</sub> (50 Hz, 1 min.)
Test voltage PDT/PDT	2.5 kV <sub>rms</sub> (50 Hz, 1 min.)
Operating mode	100% operating factor

Degree of protection	RT I
Mechanical service life	Approx. $2 \times 10^7$ cycles
Designation	Air and creepage distances between the power circuits
Standards/regulations	IEC 61810
Rated insulation voltage	250 V AC
Pollution degree	3
Surge voltage category	III
Designation	Standards/regulations
Standards/regulations	IEC 61810
Mounting position	any
<b>Connection data</b>	
Connection method	Plug connection

### Certificates / Approvals



Certification

CSA, cULus Recognized, VDE Zeichengenehmigung

Certifications applied for:

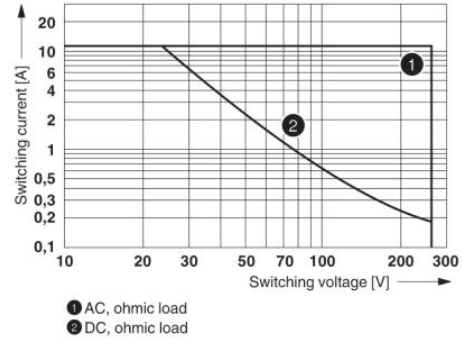
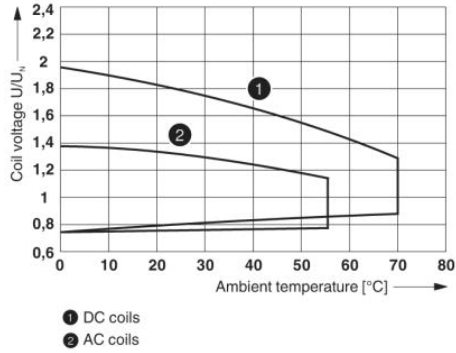
Certification Ex:

### Accessories

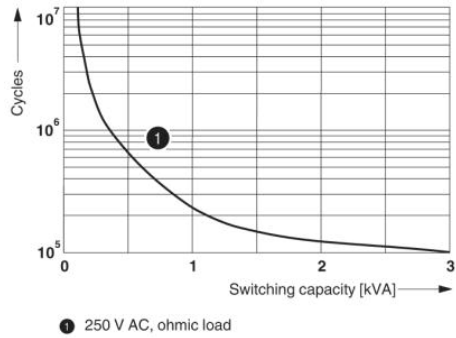
Item	Designation	Description
<b>Relay base</b>		
2900934	RIF-2-BPT/4X21	RIF-2... relay base, for industrial relay with 2 or 4 PDTs, push-in connection, plug-in option for input/suppressor modules, for mounting on NS 35/7,5

**Drawings**

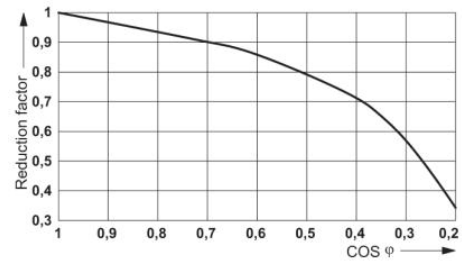
**Diagram**



**Operating voltage range**



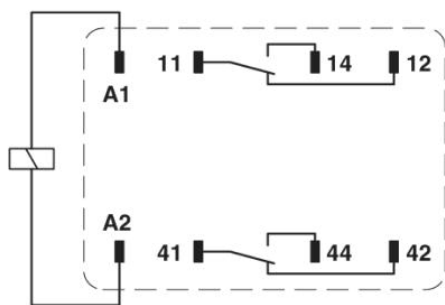
**Interrupting rating**



**Service life reduction factor**

**Electrical service life**

**Circuit diagram**



**Address**

PHOENIX CONTACT Deutschland GmbH  
Flachmarktstr. 8  
32825 Blomberg, Germany  
Phone +49 5235 3 12000  
Fax +49 5235 3 41200  
<http://www.phoenixcontact.com>



© 2014 Phoenix Contact  
Technical modifications reserved;