

MKKDSH 3/ 2 BK


Order No.: 1890028

The illustration shows the green product version

<http://catalog.phoenixcontact.net/phoenix/treeViewClick.do?UID=1890028>

PCB terminal block, Nominal current: 24 A, Nom. voltage: 400 V,
Pitch: 5 mm, Number of positions: 2, Connection method: Screw
connection, Mounting: Soldering, Conductor/PCB connection direction:
0 °, Color: black, The article can be aligned to create different nos. of
positions!

Commercial data

| | |
|------------------------|--------------------------------------------------------------------------------------------------------|
| EAN |  4 017918 383923 |
| sales group | E022 |
| Pack | 50 Pcs. |
| Customs tariff | 85369010 |
| Gross weight in pieces | 0.005402 KG |
| Net weight per piece | 0.004962 KG |

Product notes

WEEE/RoHS-compliant since:
01/01/2003

[http://
www.download.phoenixcontact.com](http://www.download.phoenixcontact.com)
Please note that the data given
here has been taken from the
online catalog. For comprehensive
information and data, please refer
to the user documentation. The
General Terms and Conditions of
Use apply to Internet downloads.

Technical data

Dimensions

| | |
|--------|---------|
| Length | 11.1 mm |
| Pitch | 5 mm |

| | |
|----------------|--------------|
| Dimension a | 5 mm |
| Pin dimensions | 0,9 x 0,9 mm |
| Hole diameter | 1.3 mm |

General

| | |
|-----------------------------------------|-------------------------------------------------------|
| Range of articles | MKKDSH 3 |
| Insulating material group | I |
| Rated surge voltage (III/3) | 4 kV |
| Rated surge voltage (III/2) | 4 kV |
| Rated surge voltage (II/2) | 4 kV |
| Rated voltage (III/3) | 250 V |
| Rated voltage (III/2) | 400 V |
| Rated voltage (II/2) | 630 V |
| Connection in acc. with standard | EN-VDE |
| Nominal current I_N | 24 A |
| Nominal cross section | 2.5 mm ² |
| Maximum load current | 24 A (with 4 mm ² conductor cross section) |
| Insulating material | PA |
| Solder pin surface | Sn |
| Inflammability class according to UL 94 | V0 |
| Internal cylindrical gage | A3 |
| Stripping length | 7 mm |
| Number of positions | 2 |
| Screw thread | M3 |
| Tightening torque, min | 0.5 Nm |
| Tightening torque max | 0.6 Nm |

Connection data

| | |
|----------------------------------------------------------------------------|----------------------|
| Conductor cross section solid min. | 0.2 mm ² |
| Conductor cross section solid max. | 4 mm ² |
| Conductor cross section stranded min. | 0.2 mm ² |
| Conductor cross section stranded max. | 2.5 mm ² |
| Conductor cross section stranded, with ferrule without plastic sleeve min. | 0.25 mm ² |
| Conductor cross section stranded, with ferrule without plastic sleeve max. | 1.5 mm ² |
| Conductor cross section stranded, with ferrule with plastic sleeve min. | 0.25 mm ² |

| | |
|-----------------------------------------------------------------------------------------|----------------------|
| Conductor cross section stranded, with ferrule with plastic sleeve max. | 2.5 mm ² |
| Conductor cross section AWG/kcmil min. | 24 |
| Conductor cross section AWG/kcmil max | 12 |
| 2 conductors with same cross section, solid min. | 0.2 mm ² |
| 2 conductors with same cross section, solid max. | 1.5 mm ² |
| 2 conductors with same cross section, stranded min. | 0.2 mm ² |
| 2 conductors with same cross section, stranded max. | 1.5 mm ² |
| 2 conductors with same cross section, stranded, ferrules without plastic sleeve, min. | 0.25 mm ² |
| 2 conductors with same cross section, stranded, ferrules without plastic sleeve, max. | 0.75 mm ² |
| 2 conductors with same cross section, stranded, TWIN ferrules with plastic sleeve, min. | 0.5 mm ² |
| 2 conductors with same cross section, stranded, TWIN ferrules with plastic sleeve, max. | 1.5 mm ² |
| Minimum AWG according to UL/CUL | 30 |
| Maximum AWG according to UL/CUL | 12 |

Certificates / Approvals



Certification

cULus Recognized, GOST, SEV, CCA, IECCEB CB Scheme

Certifications applied for:

Certification Ex:

Accessories

| Item | Designation | Description |
|-----------------|-------------|------------------------------------------------------------------------------------------------|
| Assembly | | |
| 1711408 | EA-MKDS | Single cover, to cover individual terminal positions, snap-fitting, color: orange, transparent |

General

| | | |
|---------|----------|--------------------------------------------------------------------------------------------------|
| 1733169 | EBP 2- 5 | Insertion bridge, fully insulated, for connectors with 5.0 or 5.08 mm pitch, no. of positions: 2 |
|---------|----------|--------------------------------------------------------------------------------------------------|

Marking

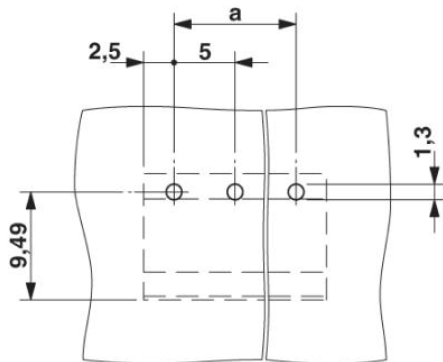
| | | |
|---------|-----------------------|----------------------------------------------------------------------------------------------------------------------------------------------------------------------------------------------------|
| 1051993 | B-STIFT | Marker pen, for manual labeling of unprinted Zack strips, smear-proof and waterproof, line thickness 0.5 mm |
| 0804183 | SK 5/3,8:FORTL.ZAHLEN | Marker cards, Card, white, labeled, Horizontal: Consecutive numbers 1 - 10, 11 - 20, etc. up to 91 - (99)100, Mounting type: Adhesive, for terminal block width: 5 mm, Lettering field: 5 x 3.8 mm |
| 0805409 | SK 5/3,8:UNBEDRUCKT | Marker cards, Card, white, unlabeled, can be labeled with: Marker pen, Mounting type: Adhesive, for terminal block width: 5 mm, Lettering field: 5 x 3.8 mm |

Tools

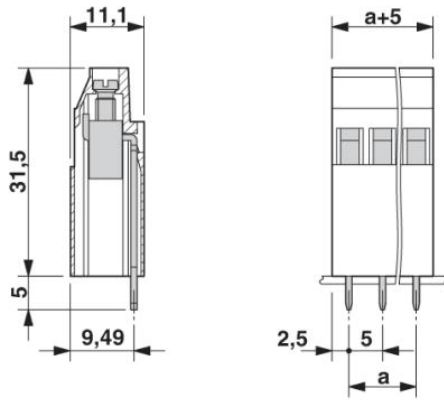
| | | |
|---------|-------------|------------------------------------------------------------------------------------------------------------------------------------------------------------------|
| 1205053 | SZS 0,6X3,5 | Actuation tool, for ST terminal blocks, insulated, also suitable for use as a bladed screwdriver, size: 0.6 x 3.5 x 100 mm, 2-component grip, with non-slip grip |
|---------|-------------|------------------------------------------------------------------------------------------------------------------------------------------------------------------|

Drawings

Drilling plan/solder pad geometry



Dimensioned drawing



Address

PHOENIX CONTACT Deutschland GmbH
Flachmarktstr. 8
32825 Blomberg, Germany
Phone +49 5235 3 12000
Fax +49 5235 3 41200
<http://www.phoenixcontact.com>



© 2014 Phoenix Contact
Technical modifications reserved;