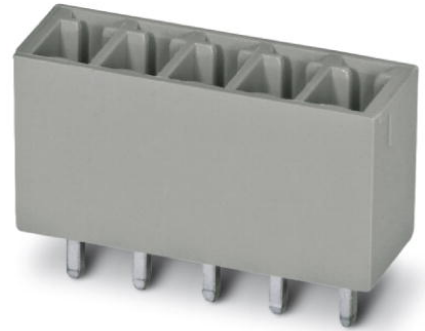



BCH-381V- 4 GN

Order No.: 5444660

The figure shows a 5-pos. version of the product in gray

<http://catalog.phoenixcontact.net/phoenix/treeViewClick.do?UID=5444660>

Header, Nominal current: 8 A, Rated voltage (III/2): 160 V, Number of positions: 4, Pitch: 3.81 mm, Color: pastel green, Contact surface: Tin, Assembly: Soldering

Commercial data	
EAN	 4 046356 806718
sales group	E613
Pack	100 Pcs.
Customs tariff	85366990
Gross weight in pieces	0.00108 KG
Net weight per piece	0.00108 KG

Product notesWEEE/RoHS-compliant since:
09/18/2012

<http://www.download.phoenixcontact.com>
Please note that the data given here has been taken from the online catalog. For comprehensive information and data, please refer to the user documentation. The General Terms and Conditions of Use apply to Internet downloads.

Technical data	
Dimensions	
Length	7.4 mm
Pitch	3.81 mm
Dimension a	11.43 mm
Pin dimensions	0,8 x 0,8 mm

Hole diameter	1.2 mm
General	
Range of articles	BCH-V
Insulating material group	I
Rated surge voltage (III/3)	2.5 kV
Rated surge voltage (III/2)	2.5 kV
Rated surge voltage (II/2)	2.5 kV
Rated voltage (III/3)	160 V
Rated voltage (III/2)	160 V
Rated voltage (II/2)	320 V
Connection in acc. with standard	EN-VDE
Nominal current I _N	8 A
Insulating material	PA
Inflammability class according to UL 94	V0
Color	pastel green
Number of positions	4

Certificates / Approvals



Certification cULus Recognized

Certifications applied for:

Certification Ex:

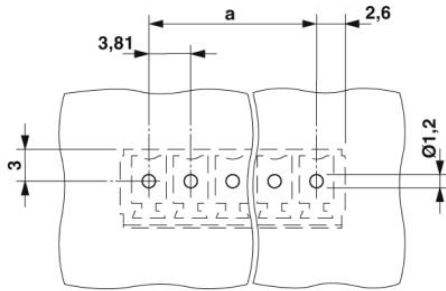
Accessories

Item	Designation	Description
Marking		
1051993	B-STIFT	Marker pen, for manual labeling of unprinted Zack strips, smear-proof and waterproof, line thickness 0.5 mm
0804073	SK 3,5/2,8:FORTL.ZAHLEN	Marker cards, Card, white, labeled, Horizontal: Consecutive numbers 1 - 10, 11 - 20, etc. up to 91 - 99, Mounting type: Adhesive, for terminal block width: 3.5 mm, Lettering field: 3.5 x 2.8 mm

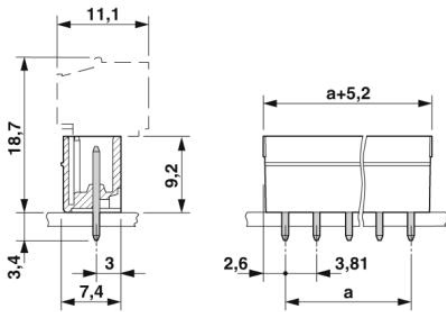
0803883	SK U/2,8 WH:UNBEDRUCKT	Marker cards, Sheet, white, unlabeled, can be labeled with: Plotter, Office printing systems, Mounting type: Adhesive, Lettering field: 186 x 2.8 mm
---------	------------------------	--

Drawings

Drilling plan/solder pad geometry



Dimensioned drawing



Address

PHOENIX CONTACT Deutschland GmbH
Flachmarktstr. 8
32825 Blomberg, Germany
Phone +49 5235 3 12000
Fax +49 5235 3 41200
<http://www.phoenixcontact.com>



© 2014 Phoenix Contact
Technical modifications reserved;