

HC-D 25-TFL-72/M1PG21G

Order No.: 1772450


The illustration shows version HC-D 25-TFL-72/M 1 PG 16 G



<http://catalog.phoenixcontact.net/phoenix/treeViewClick.do?UID=1772450>

Sleeve housing, for single locking latch, height 72 mm, with screw connection, 1x Pg21, straight cable entry

Commercial data

EAN	 4 017918 037123
sales group	D011
Pack	10 Pcs.
Customs tariff	85389099
Gross weight in pieces	0.24313 KG
Net weight per piece	0.24313 KG
Catalog page information	Page 424 (C-4-2013)

Product notes

WEEE/RoHS-compliant since:
01/31/2006



<http://www.download.phoenixcontact.com>
Please note that the data given here has been taken from the online catalog. For comprehensive information and data, please refer to the user documentation. The General Terms and Conditions of Use apply to Internet downloads.

Technical data

Dimensions

Height	72 mm
Width	36 mm
Length	79.5 mm
Wrench size, union nut	28 mm
External cable diameter	10 mm ... 19 mm

Ambient conditions

Degree of protection of housing (IP)	IP65
Ambient temperature (operation)	-40 °C ... 125 °C

General

Note	For contact inserts HC-D25, A16
Type	D25
Housing type	Sleeve housings
Locking type	for single locking latch
No. of cable outlets	1
Cable exit	Straight
Screw connection	with
Type of the screw connection	1x Pg21
Housing material	Aluminum die-cast
Housing surface material	Powder-coated, gray
Seal material	NBR
Cable gland material	Nickel-plated brass
Cable seal material	NBR

Certificates / Approvals



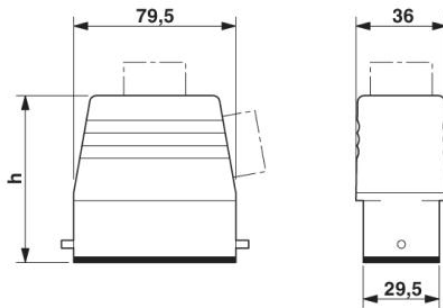
Certification GOST

Certifications applied for:

Certification Ex:

Drawings

Dimensioned drawing



Address

PHOENIX CONTACT Deutschland GmbH
Flachmarktstr. 8
32825 Blomberg, Germany
Phone +49 5235 3 12000
Fax +49 5235 3 41200
<http://www.phoenixcontact.com>



© 2014 Phoenix Contact
Technical modifications reserved;