


**VS-15-A-GC-BU/BU**

Order No.: 1689718

<http://catalog.phoenixcontact.net/phoenix/treeViewClick.do?UID=1689718>D-SUB panel mounting frame, shell size 2, with 15 signal contacts,  
socket, gender changer, shielded, IP67 degree of protection

Commercial data	
EAN	 4 017918 934125
Note	Made-to-order
sales group	D504
Pack	5 Pcs.
Customs tariff	85366990
Gross weight in pieces	0.02372 KG
Net weight per piece	0.02318 KG
Catalog page information	Page 221 (C-2-2013)

## Product notes

WEEE/RoHS-compliant since:  
01/01/2006

<http://www.download.phoenixcontact.com>  
Please note that the data given here has been taken from the online catalog. For comprehensive information and data, please refer to the user documentation. The General Terms and Conditions of Use apply to Internet downloads.

**Technical data****Mechanical characteristics**

Number of positions	15
Insertion/withdrawal cycles	≥ 200
Color	gray

**Ambient conditions**

Ambient temperature (operation)	-40 °C ... 80 °C
Degree of protection	IP67

**Material data**

Inflammability class according to UL 94	V0
Housing material	PA

Contact carrier material	Polyester GF
Contact material	Copper alloy
Contact surface material	Hard gold-plated over nickel
Material	Plastic
Sealing material	Flat gasket: NBR; profile gasket: EPDM
Seal material	Flat gasket: NBR; profile gasket: EPDM

#### Electrical characteristics

Rated voltage (III/3)	125 V
Rated current	5 A

#### Certificates / Approvals

Certification

Certifications applied for:

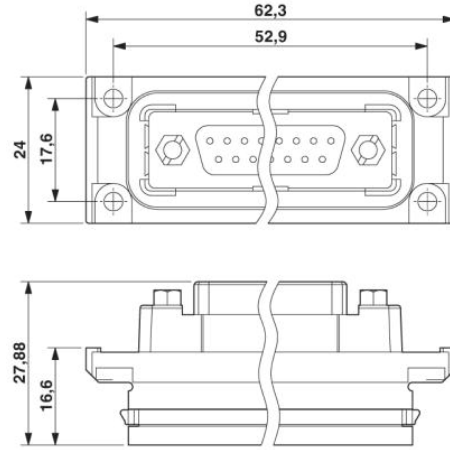
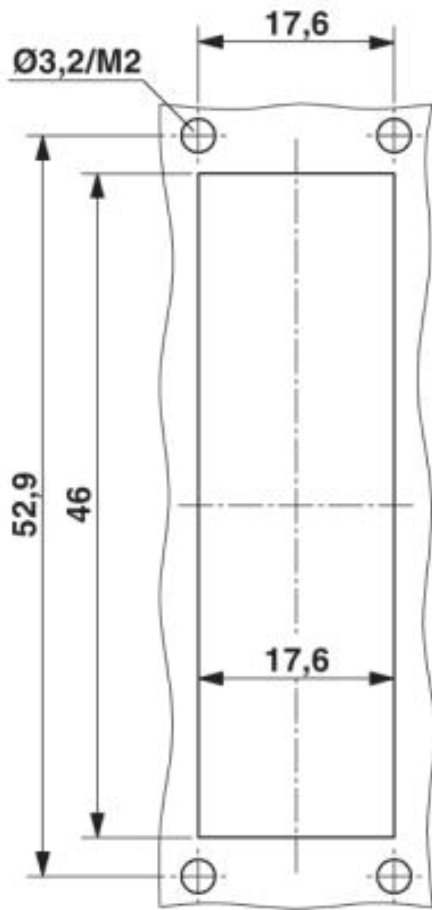
Certification Ex:

#### Accessories

Item	Designation	Description
<b>Protective covers</b>		
1887099	VS-15-SD	D-SUB protective cover, shell size 2, IP54 degree of protection, for panel mounting frame and sleeve housing VS-15-...

Drawings

Dimensioned drawing



D-SUB panel mounting frame

Mounting cutout: VS-15-A...

**Address**

PHOENIX CONTACT Deutschland GmbH  
Flachmarktstr. 8  
32825 Blomberg, Germany  
Phone +49 5235 3 12000  
Fax +49 5235 3 41200  
<http://www.phoenixcontact.com>



© 2014 Phoenix Contact  
Technical modifications reserved;