

# SF-5EP1N8AAD00


Order No.: 1605512

The figure shows the 8-pos. (4+3+PE) product version



<http://catalog.phoenixcontact.net/phoenix/treeViewClick.do?UID=1605512>

Device connector, front mounting, angled rotatable, Screw locking, M23, Number of positions: 5+PE, Type of contact: Male connector, Crimp connection, Axial O-ring, 4xØ3,2, shielded: Yes, Flange dimensions: 26 mm x 26 mm, Cable diameter: 0 mm...0 mm

Commercial data	
EAN	4  046356 182157
sales group	D300
Pack	1 Pcs.
Customs tariff	85366990
Gross weight in pieces	0.1237 KG
Net weight per piece	0.1237 KG
Catalog page information	Page 81 (PC-2011)

### Product notes

WEEE/RoHS-compliant since:  
01/01/2003



<http://www.download.phoenixcontact.com>  
Please note that the data given here has been taken from the online catalog. For comprehensive information and data, please refer to the user documentation. The General Terms and Conditions of Use apply to Internet downloads.

Technical data	
<b>General</b>	
Note	Order information Order crimp contacts 6 x Ø 2 mm separately
Type of locking	Screw locking
Coding	N
Contact connection method	Crimp connection

Type of contacts	Male connector
Number of positions	6
Contact diameter of power contacts	2 mm
Nominal current per power contact at 25°C	30 A
Contact diameter of signal contacts	2 mm
Conductor entry	0 mm ... 0 mm
Mounting type	4xØ3,2

#### Ambient conditions

Ambient temperature	-20 °C ... 125 °C
Degree of protection	IP67

#### Material

Housing material	Turned parts: copper zinc alloy (CuZn), die-cast parts: zinc (GD-Zn)
Insulator material	PA 66
Gasket and O-ring material	FPM

#### Specifications according to DIN EN 61984:2001

Installation height max.	3000 m
Nominal / operating voltage of power contacts	630 V
Rated surge voltage of power contacts	6 kV
Surge voltage category of power contacts	III
Pollution degree of power contacts	3
Rated surge voltage of signal contacts	4 kV
Surge voltage category of signal contacts	III
Pollution degree of signal contacts	3

#### Certificates / Approvals



Certification

cULus Recognized

Certifications applied for:

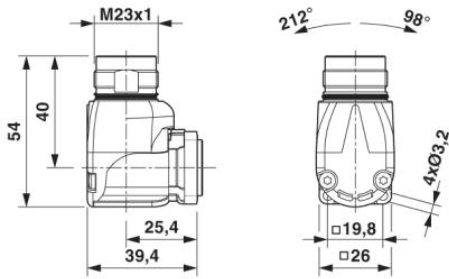
Certification Ex:

**Accessories**

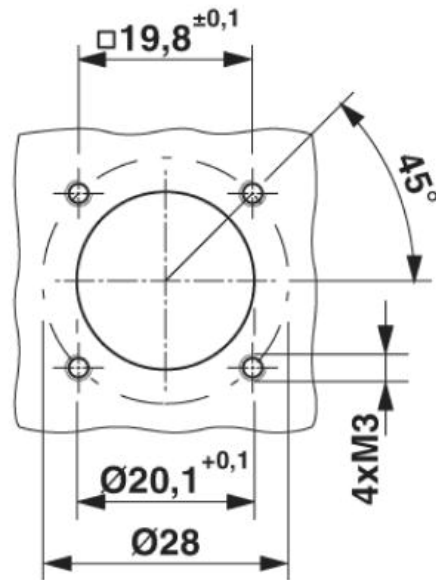
Item	Designation	Description
<b>General</b>		
1604225	RC-Z2059	Plastic dust protection cap for connectors with M23 external thread
1611797	RC-Z2469	Plastic dust protection cap, anti-static, for RF, SF series connectors, with M23 external thread
1605456	SC-Z2319	Metal dust protection cap for power plugs with M23 external thread
1605457	SC-Z2320	Metal dust protection cap with steel wire for power plugs with M23 external thread
1607376	SF-20KP004	Crimp contact, turned, Contact diameter: 2 mm, Crimp range: 0.75 mm <sup>2</sup> ...1.5 mm <sup>2</sup>
1605626	SF-7MP2000	Crimp contact, turned, Single contact, Contact diameter: 2 mm, Crimp range: 4 mm <sup>2</sup> ...4 mm <sup>2</sup>
1605634	SF-7PP2000	Crimp contact, turned, Single contact, Contact diameter: 2 mm, Crimp range: 0.25 mm <sup>2</sup> ...1 mm <sup>2</sup>
1605639	SF-7QP2000	Crimp contact, turned, Single contact, Contact diameter: 2 mm, Crimp range: 1 mm <sup>2</sup> ...2.5 mm <sup>2</sup>
1605646	SF-7RP2000	Crimp contact, turned, Single contact, Contact diameter: 2 mm, Crimp range: 0.14 mm <sup>2</sup> ...0.25 mm <sup>2</sup>
1607449	SF-Z0019	Plastic dust protection cap with IP40 eye for connectors with M23 external thread, RF, SF series

## Drawings

### Dimensioned drawing



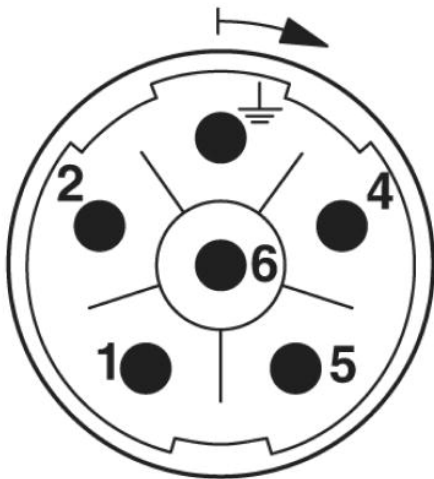
### Dimensional drawing



### Installation dimensions

### Schematic diagram

### Connector pin assignment



**Address**

PHOENIX CONTACT Deutschland GmbH  
Flachmarktstr. 8  
32825 Blomberg, Germany  
Phone +49 5235 3 12000  
Fax +49 5235 3 41200  
<http://www.phoenixcontact.com>



© 2014 Phoenix Contact  
Technical modifications reserved;