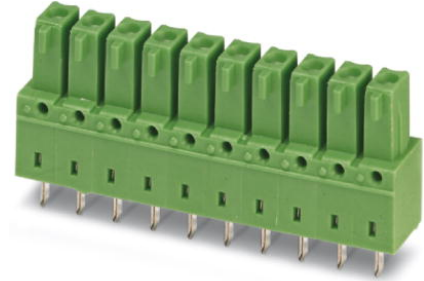


# IMCV 1,5/12-G-3,81


Order No.: 1875522

The figure shows a 16-pos. version of the product

<http://eshop.phoenixcontact.de/phoenix/treeViewClick.do?UID=1875522>

Header, Nominal current: 8 A, Rated voltage (III/2): 160 V, Number of positions: 12, Pitch: 3.81 mm, Color: green, Assembly: Soldering

**Commercial data**

|                          |   |
|--------------------------|---|
| GTIN (EAN)               | <br>4 017918 134020 |
| sales group              | E135  |
| Pack                     | 50 pcs.   |
| Customs tariff           | 85366990  |
| Catalog page information | Page 225 (CC-2011)  |

**Product notes**WEEE/RoHS-compliant since:  
01/01/2003

<http://www.download.phoenixcontact.com>  
Please note that the data given here has been taken from the online catalog. For comprehensive information and data, please refer to the user documentation. The General Terms and Conditions of Use apply to Internet downloads.

**Technical data****Dimensions / positions**

|                     |              |
|---------------------|--------------|
| Length              | 6.85 mm      |
| Pitch               | 3.81 mm      |
| Dimension a         | 41.91 mm     |
| Number of positions | 12           |
| Pin dimensions      | 0,8 x 0,8 mm |

|                                     |               |
|-------------------------------------|---------------|
| Hole diameter                       | 1.2 mm        |
| <b>Technical data</b>               |               |
| Range of articles                   | IMCV 1,5/..-G |
| Insulating material group           | I             |
| Rated surge voltage (III/3)         | 2.5 kV        |
| Rated surge voltage (III/2)         | 2.5 kV        |
| Rated surge voltage (II/2)          | 2.5 kV        |
| Rated voltage (III/2)               | 160 V         |
| Rated voltage (II/2)                | 320 V         |
| Connection in acc. with standard    | EN-VDE        |
| Nominal current $I_N$               | 8 A           |
| Nominal voltage $U_N$               | 160 V         |
| Maximum load current                | 8 A           |
| Insulating material                 | PA            |
| Inflammability class acc. to UL 94  | V0            |
| Color                               | green         |
| Nominal voltage, UL/CUL Use Group B | 300 V         |
| Nominal current, UL/CUL Use Group B | 8 A           |
| Nominal voltage, UL/CUL Use Group D | 300 V         |
| Nominal current, UL/CUL Use Group D | 8 A           |

### Certificates / Approvals



Certification

CB, CUL, GOST, UL, VDE-PZI

### Accessories

| Item           | Designation              | Description  |
|----------------|--------------------------|--|
| <b>Marking</b> |                          |  |
| 0804109        | SK 3,81/2,8:FORTL.ZAHLEN | Marker card, printed horizontally, self-adhesive, 14 identical sets labeled 1 - 10, 11 - 20, and so on up to 91 - (99)100, enough to label 140 terminal blocks |

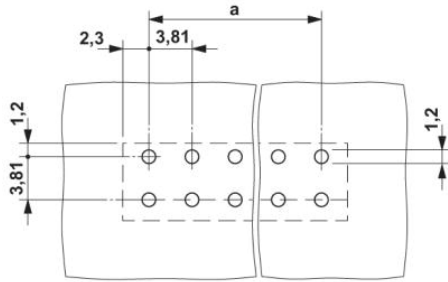
**Additional products**

| Item           | Designation          | Description  |
|----------------|----------------------|--|
| <b>General</b> |                      |  |
| 1897908        | EMC 1,5/12-G-3,81    | Header, Nominal current: 8 A, Rated voltage (III/2): 160 V, Number of positions: 12, Pitch: 3.81 mm, Color: green, Assembly: Press-in  |
| 1860744        | EMCV 1,5/12-G-3,81   | Header, Nominal current: 8 A, Rated voltage (III/2): 160 V, Number of positions: 12, Pitch: 3.81 mm, Color: green, Assembly: Press-in  |
| 1857980        | IMC 1,5/12-ST-3,81   | Plug component, Nominal current: 8 A, Rated voltage (III/2): 160 V, Number of positions: 12, Pitch: 3.81 mm, Connection method: Screw connection, Color: green   |
| 1803374        | MC 1,5/12-G-3,81     | Header, Nominal current: 8 A, Rated voltage (III/2): 160 V, Number of positions: 12, Pitch: 3.81 mm, Color: green, Assembly: Soldering   |
| 1908868        | MC 1,5/12-G-3,81 THT | Header, Nominal current: 8 A, Rated voltage (III/2): 160 V, Number of positions: 12, Pitch: 3.81 mm, Color: Black, Assembly: SMD/THT/THR, User information and design recommendations on through hole reflow technology can be found at: <a href="http://www.combicon.com">http://www.combicon.com</a> |
| 1830059        | MCD 1,5/12-G-3,81    | Header, Nominal current: 8 A, Rated voltage (III/2): 160 V, Number of positions: 12, Pitch: 3.81 mm, Color: green, Assembly: Soldering, In combination with MCV plug components, both an MCVW and an MCVR plug must be used.   |
| 1843172        | MCD 1,5/12-G1-3,81   | Header, Nominal current: 8 A, Rated voltage (III/2): 160 V, Number of positions: 12, Pitch: 3.81 mm, Color: green, Assembly: Soldering, In combination with MCV plug components, both an MCVW and an MCVR plug must be used.   |
| 1830509        | MCDV 1,5/12-G-3,81   | Header, Nominal current: 8 A, Rated voltage (III/2): 160 V, Number of positions: 12, Pitch: 3.81 mm, Color: green, Assembly: Soldering, In combination with MCV plug components, both an MCVW and an MCVR plug must be used.   |
| 1847835        | MCDV 1,5/12-G1-3,81  | Header, Nominal current: 8 A, Rated voltage (III/2): 160 V, Number of positions: 12, Pitch: 3.81 mm, Color: green, Assembly: Soldering, In combination with MCV plug components, both an MCVW and an MCVR plug must be used.   |
| 1803523        | MCV 1,5/12-G-3,81    | Header, Nominal current: 8 A, Rated voltage (III/2): 160 V, Number of positions: 12, Pitch: 3.81 mm, Color: green, Assembly: Soldering   |
| 1837531        | MCVDU 1,5/12-G-3,81  | Header, Nominal current: 8 A, Rated voltage (III/2): 160 V, Number of positions: 12, Pitch: 3.81 mm, Color: green, Assembly: Soldering   |
| 1832837        | MCVK 1,5/12-G-3,81   | Plug component, Nominal current: 8 A, Rated voltage (III/2): 160 V, Number of positions: 12, Pitch: 3.81 mm, Color: green, Assembly: DIN rail  |

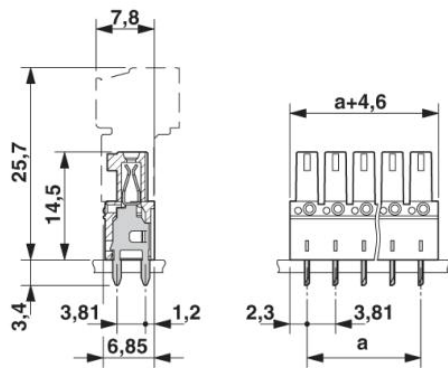
|         |                   |  |
|---------|-------------------|--|
| 1827376 | SMC 1,5/12-G-3,81 | Header, Nominal current: 8 A, Rated voltage (III/2): 160 V, Number of positions: 12, Pitch: 3.81 mm, Color: green, Assembly: Soldering |
|---------|-------------------|--|

**Diagrams/Drawings**

Drilling plan/solder pad geometry



Dimensioned drawing



**Address**

Phoenix Contact (India) Pvt. Ltd.  
A-58/2, Okhla Industrial Area, Phase - II,  
IND-New Delhi-110 020,India  
Phone +91.11.30 262 800/700  
Fax +91.11.26 383 285, 41611-070/71  
<http://www.phoenixcontact.co.in>



© 2011 Phoenix Contact  
Technical modifications reserved;