

UEG 30/1

Order No.: 2790871

<http://eshop.phoenixcontact.de/phoenix/treeViewClick.do?UID=2790871>

Electronic housing, for PCB insertion, fully equipped with 4 screw or
tab connections per side

Commercial data

| | |
|--------------------------|--------------------|
| EAN | 4017918072360 |
| Pack | 10 pcs. |
| Customs tariff | 85369010 |
| Weight/Piece | 0.06292 KG |
| Catalog page information | Page 559 (CC-2009) |

Product notes

WEEE/RoHS-compliant since:
01/01/2003



[http://
www.download.phoenixcontact.com](http://www.download.phoenixcontact.com)
Please note that the data given
here has been taken from the
online catalog. For comprehensive
information and data, please refer
to the user documentation. The
General Terms and Conditions of
Use apply to Internet downloads.

Technical data

General

| | |
|------------------|--------------------|
| Housing type | Complete housing |
| Housing material | polyamide (PA 6.6) |
| Color | green |

Dimensions / positions

| | |
|---------------------|---------|
| Length | 79.5 mm |
| Width | 30 mm |
| Number of positions | 8 |
| Pitch | 5 mm |

Technical data

| | |
|---|-------------------|
| Ambient temperature (operation) | -40 °C ... 105 °C |
| Inflammability class acc. to UL 94 | V0 |
| Power dissipation at 20°C in the horizontal mounting position | 4 W 7.2 W |

Connection data

| | |
|--|---------------------|
| Conductor cross section solid min. | 0.2 mm ² |
| Conductor cross section solid max. | 4 mm ² |
| Conductor cross section stranded min. | 0.2 mm ² |
| Conductor cross section stranded max. | 2.5 mm ² |
| Conductor cross section AWG/kcmil min. | 24 |
| Conductor cross section AWG/kcmil max | 12 |
| Stripping length | 8 mm |

Certificates / Approvals



Certification GOST

Accessories

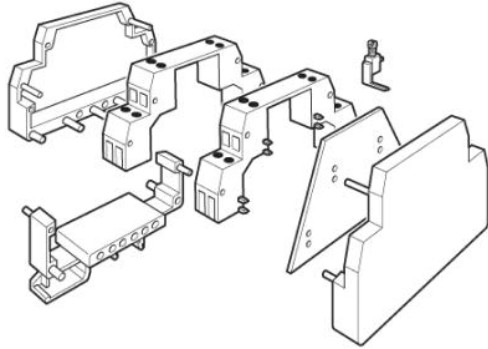
| Item | Designation | Description |
|------|-------------|-------------|
|------|-------------|-------------|

Bridges

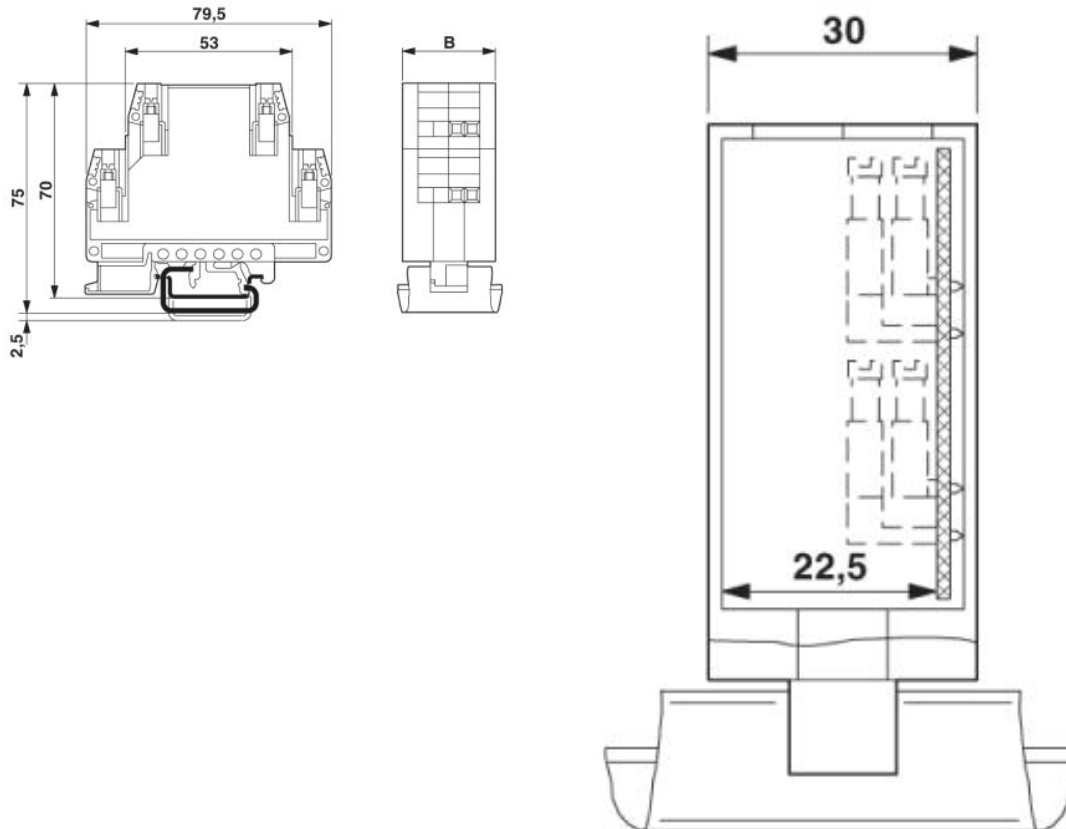
| | | |
|---------|--------------|--------------------------|
| 2820929 | DB 50- 90 GY | Wire bridge, Color: gray |
|---------|--------------|--------------------------|

Diagrams/Drawings

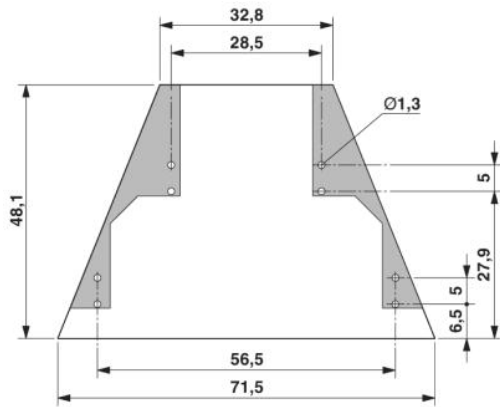
Explosion drawing



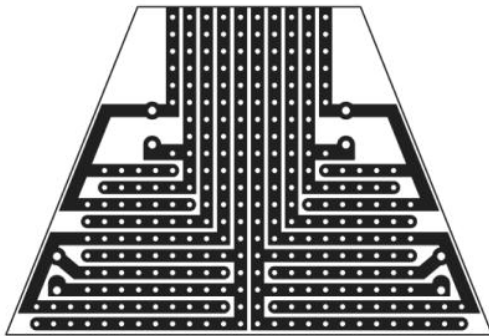
Dimensioned drawing



UEG 30/1, enlarged internal area, with 1 PCB, up to max. 8 positions



Schematic diagram



Address

PHOENIX CONTACT Inc., USA
586 Fulling Mill Road
Middletown, PA 17057, USA
Phone (800) 888-7388
Fax (717) 944-1625
<http://www.phoenixcon.com>



© 2010 Phoenix Contact
Technical modifications reserved;