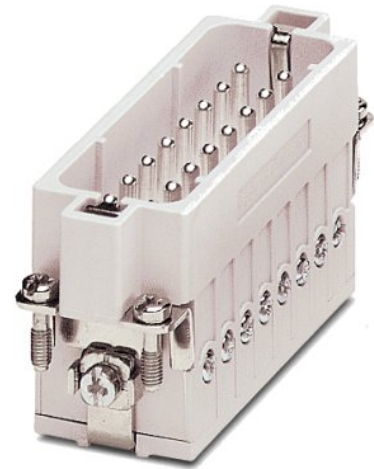


HC-A 16-ESTC

Order No.: 1677034

The illustration shows version HC-A 16-ESTS

<http://eshop.phoenixcontact.de/phoenix/treeViewClick.do?UID=1677034>

HEAVYCON male insert, A16 series, 16-pos., crimp connection

Commercial data

EAN	4017918129651
Pack	10 pcs.
Customs tariff	85366990
Weight/Piece	0.04304 KG
Catalog page information	Page 425 (PC-2009)

Product notes

WEEE/RoHS-compliant since:
02/17/2006

<http://www.download.phoenixcontact.com>
Please note that the data given here has been taken from the online catalog. For comprehensive information and data, please refer to the user documentation. The General Terms and Conditions of Use apply to Internet downloads.

Technical data

General data

Note	For HC-D25 / HC-D 50 housing, crimp contact CK2,5-ED (crimp contacts not included in scope of supply)
Connection method	Crimp connection
Ambient temperature (operation)	-40 °C ... 125 °C (including heating up of contacts)

Pollution degree	3
Surge voltage category	III
Constructional and testing regulations	DIN VDE 0627/86
	DIN VDE 0110/02.79
	DIN VDE 0110-1/04.97
	IEC 60664-1, DIN IEC 60512
	IEC 60352
Number of positions	16
Insertion/withdrawal cycles	≥ 500
Design	A16
Connection in acc. with standard	IEC / EN
Conductor cross section	0.5 mm ² ... 4 mm ²
Connection cross section AWG	20 ... 12
Stripping length of the individual wire	8 mm
Assembly instructions	Connectors may be operated only when there is no load/voltage.

Material data

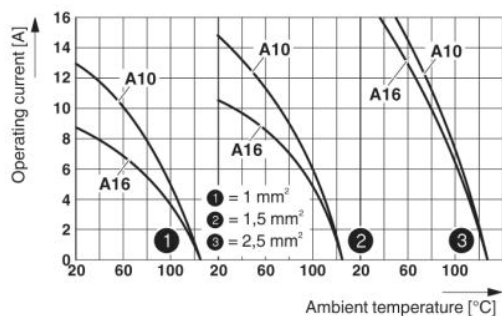
Inflammability class acc. to UL 94	V0
Contact material	Copper alloy
Contact surface material	Ag (alternatively Au)
Contact carrier material	PA

Electrical characteristics

Rated voltage (III/3)	250 V
Rated surge voltage	4 kV
Rated current	16 A

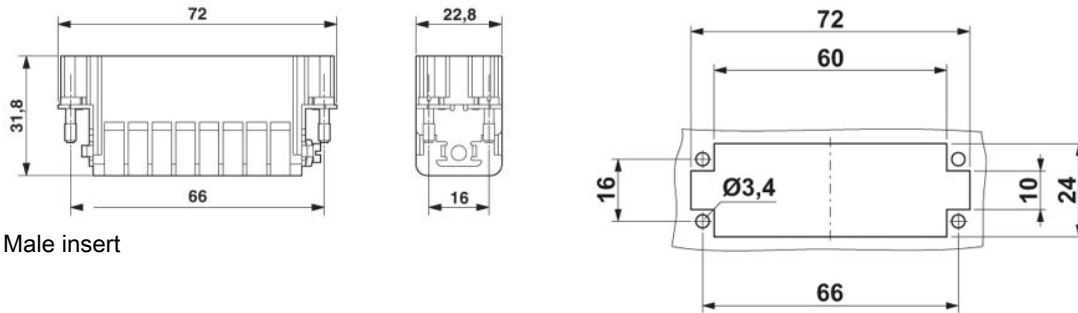
Drawings

Diagram



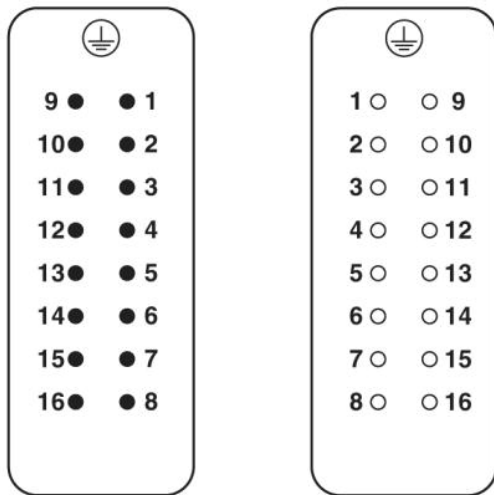
Derating diagram: Series A

Dimensioned drawing



Male insert

Schematic diagram



Address

PHOENIX CONTACT GmbH & Co. KG
Flachsmarktstr. 8
32825 Blomberg, Germany
Phone +49 5235 3 00
Fax +49 5235 3 41200
<http://www.phoenixcontact.com>



© 2009 Phoenix Contact
Technical modifications reserved;