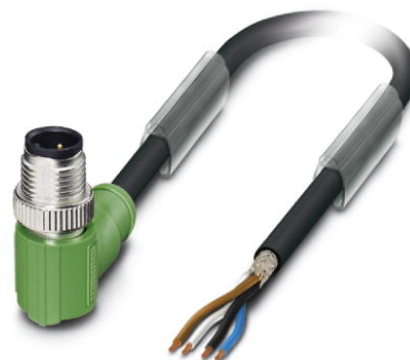


SAC-4P-M12MR/3,0-PUR SH

Order No.: 1682883



<http://eshop.phoenixcontact.de/phoenix/treeViewClick.do?UID=1682883>

Sensor/actuator cable, 4-pos., PUR halogen-free black, shielded, angled M12 plug on free conductor end, cable length: 3 m

Commercial data

| | |
|--------------------------|-------------------|
| EAN | 4017918169015 |
| Pack | 5 pcs. |
| Customs tariff | 85444290 |
| Weight/Piece | 0.1737 KG |
| Catalog page information | Page 85 (PC-2009) |

Product notes

WEEE/RoHS-compliant since:
06/01/2005



<http://www.download.phoenixcontact.com>
Please note that the data given here has been taken from the online catalog. For comprehensive information and data, please refer to the user documentation. The General Terms and Conditions of Use apply to Internet downloads.

Technical data

General data

| | |
|-----------------------|----------------------------|
| Nominal current I_N | 4 A |
| Nominal voltage U_N | 250 V |
| Number of positions | 4 |
| Volume resistance | $\leq 5 \text{ m}\Omega$ |
| Insulation resistance | $\geq 100 \text{ M}\Omega$ |

| | |
|--|--|
| Length of cable | 3 m |
| Abmantellänge des freien Leitungsendes | 50 mm |
| Ambient temperature (operation) | -25 °C ... 90 °C (plug/socket) |
| | -25 °C ... 80 °C (cable, fixed installation) |
| | -5 °C ... 80 °C (cable, flexible installation) |

General characteristics

| | |
|------------------------------------|---|
| Coding | A - standard |
| Inflammability class acc. to UL 94 | HB |
| Surge voltage category | II |
| Pollution degree | 3 |
| Degree of protection | IP65/IP67/IP69K |
| Contact material | CuSn |
| Contact surface material | Ni/Au |
| Contact carrier material | TPU GF |
| Material of grip body | TPU, hardly inflammable, self-extinguishing |
| Material, knurls | Zinc die-cast, (nickel-plated) |
| Status display | No |

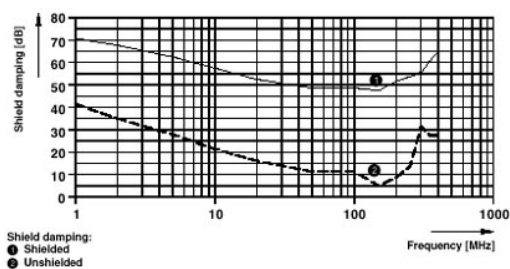
Conductor data

| | |
|------------------------------------|-----------------------------------|
| Cable type | PUR halogen-free black shielded |
| Cable type (abbreviation) | PUR |
| Cable abbreviation | Li9Y-V1-C-V1-11Y |
| Conductor cross section | 0.34 mm ² |
| AWG signal line | 22 |
| Conductor structure, signal line | 42x 0.10 mm |
| Core diameter including insulation | 1.27 mm ±0.02 mm |
| Thickness, insulation | ≥ 0.21 mm (Core insulation) |
| | Approx. 1 mm (Outer cable sheath) |
| External cable diameter | 5.90 mm |
| Wire colors | Brown, white, blue, black |
| External sheath, color | Black-gray RAL 7021 |
| Insulation resistance | ≥ 100 GΩ*km |
| Conductor resistance | Max. 58 Ω/km |
| Nominal voltage, conductor | ≤ 300 V |
| Test voltage, conductor | ≥ 3000 V |

| | |
|---|---|
| Overall twist | 4 wires, twisted |
| Shielding | Braided shielding made of tin-plated copper wires |
| Optical shield covering | 85 % |
| Outer sheath, material | PUR |
| Material conductor insulation | PP |
| Conductor material | Bare Cu litz wires |
| Cable weight | 47 kg/km |
| Smallest bending radius, fixed installation | 59 mm |
| Smallest bending radius, movable installation | 59 mm |
| Number of bending cycles | 4000000 |
| Bending radius | 50 mm |
| Traversing path | 10 m |
| Traversing rate | 3 m/s |
| Acceleration | 10 m/s ² |
| Special properties | Flexible cable conduit capable |
| | Silicone-free |
| | Free of substances which would hinder coating with paint or varnish |
| Flame resistance | As per UL-Style 20549 |
| Freedom from halogen | As per DIN VDE 0472 part 815 |
| Resistance to oil | complying with DIN EN 60811-2-1 |
| Other resistance | Highly resistant to acids, alkaline solutions and solvents |
| | hydrolysis and microbe resistant |

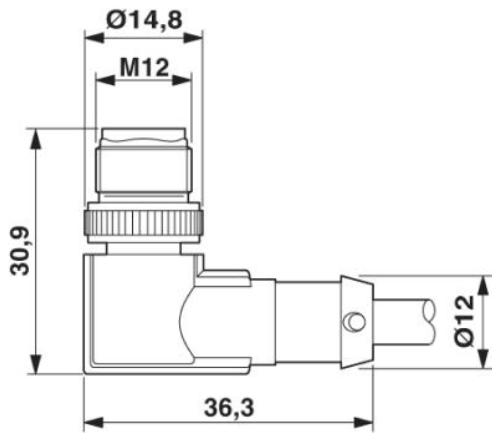
Drawings

Diagram



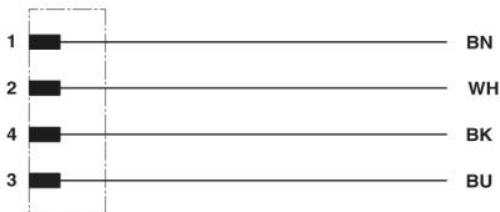
Dimensioned drawing

M12 x 1 male connector, angled, shielded



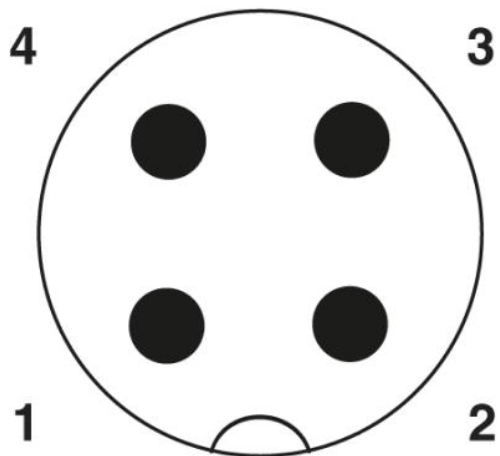
Circuit diagram

Contact assignment of the M12 plug



Schematic diagram

Pin assignment M12 plug, 4-pos., A-coded, view plug side



Address

PHOENIX CONTACT GmbH & Co. KG
Flachmarktstr. 8
32825 Blomberg, Germany
Phone +49 5235 3 00
Fax +49 5235 3 41200
<http://www.phoenixcontact.com>



© 2009 Phoenix Contact
Technical modifications reserved;