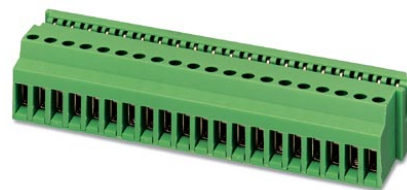


## SKBD 20/MT

Order No.: 2202631

<http://eshop.phoenixcontact.de/phoenix/treeViewClick.do?UID=2202631>

Plug-in card block, Nominal current: 5 A, Nom. voltage: 400 V, Pitch: 5 mm, Number of positions: 20, Connection type: Screw connection, Color: green

### Commercial data

EAN	4017918053376
Pack	10 pcs.
Customs tariff	85369010
Weight/Piece	0.05963 KG
Catalog page information	Page 263 (CC-2002)

### Product notes

WEEE/RoHS-compliant since:  
01/01/2003



<http://www.download.phoenixcontact.com>  
Please note that the data given here has been taken from the online catalog. For comprehensive information and data, please refer to the user documentation. The General Terms and Conditions of Use apply to Internet downloads.

### Technical data

#### Dimensions / positions

Length	23.6 mm
Height	18.4 mm
Pitch	5 mm
Number of positions	20
Screw thread	M3
Tightening torque, min	0.5 Nm
Tightening torque max	0.6 Nm

**Technical data**

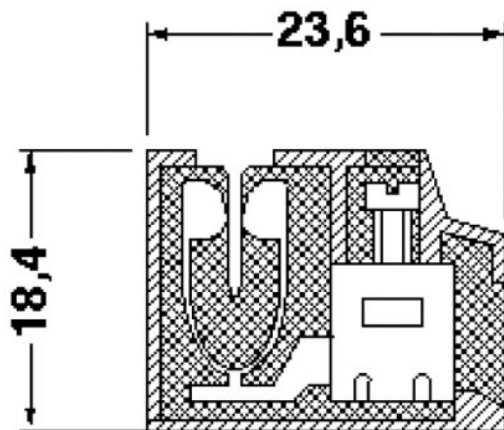
Connection in acc. with standard	EN-VDE
Nominal current $I_N$	5 A (applies to gold-plated contacts of the PCB)
Nominal voltage $U_N$	400 V
Stripping length	8 mm

**Connection data**

Conductor cross section solid min.	0.2 mm <sup>2</sup>
Conductor cross section solid max.	2.5 mm <sup>2</sup>
Conductor cross section stranded min.	0.2 mm <sup>2</sup>
Conductor cross section stranded max.	1.5 mm <sup>2</sup>
Conductor cross section AWG/kcmil min.	24
Conductor cross section AWG/kcmil max	14

**Drawings**

Dimensioned drawing



**Address**

PHOENIX CONTACT GmbH & Co. KG  
Flachsmarktstr. 8  
32825 Blomberg, Germany  
Phone +49 5235 3 00  
Fax +49 5235 3 41200  
<http://www.phoenixcontact.com>



© 2009 Phoenix Contact  
Technical modifications reserved;