

UDK-RELG 4

Order No.: 2777056

The illustration shows versions with a different no. of positions

<http://eshop.phoenixcontact.de/phoenix/treeViewClick.do?UID=2777056>

Basic termination blocks with test connection on both sides and double connections with the same potential for NS 32 and NS 35/7,5 DIN rail, with end cover, for ST-REL..., ST-OV... and ST-OE... plugs, 4-pos.

Commercial data

EAN	4017918068646
Pack	10 pcs.
Customs tariff	85369010
Weight/Piece	0.06622 KG
Catalog page information	Page 139 (IF-2009)

Product notes

WEEE/RoHS-compliant since:
01/01/2003

<http://www.download.phoenixcontact.com>
Please note that the data given here has been taken from the online catalog. For comprehensive information and data, please refer to the user documentation. The General Terms and Conditions of Use apply to Internet downloads.

Technical data

General data

Number of positions	4
Nominal voltage U_N	400 V (voltage is determined by the coupling connector.)

Nominal current I _N	16 A (current is determined by the coupling connector.)
Color	gray
Insulating material	PA
Depth	63.6 mm
Width with lid	27 mm
Height with coupling plug NS 35/7,5	113 mm

Connection data

Conductor cross section solid min.	0.2 mm ²
Conductor cross section solid max.	4 mm ²
Conductor cross section stranded min.	0.2 mm ²
Conductor cross section stranded max.	4 mm ²
Conductor cross section AWG/kcmil min.	24
Conductor cross section AWG/kcmil max	12
Type of connection	Screw connection
Stripping length	7 mm
Screw thread	M3

Accessories

Item	Designation	Description
------	-------------	-------------

Assembly

1201442	E/UK	End clamp, for supporting the electronic base. If mounted vertically, 2 end clamps are required in each case
0201595	FB-150 METER	Cross connection rail, for fixed bridging of identical inputs and outputs, made of Cu, nickel-plated, 1 m long
3004207	VS	Fuse modular terminal block, Color: white
2303608	ZSR	Distance piece, metal, for branches of FB-150, with screw and thrust washer

Bridges

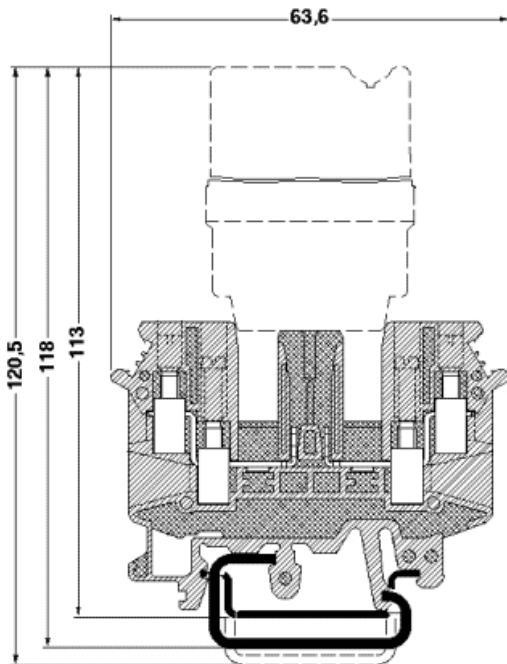
2820916	DB 50- 90 BK	Wire bridge, Color: black
2821180	DB 50- 90 BU	Wire bridge, Color: blue
2820929	DB 50- 90 GY	Wire bridge, Color: gray
2961066	KB RELG 2	Fixed bridge, for cross connections, with screw, 2-pos.
2961079	KB RELG 3	Fixed bridge, for cross connections, with screw, 3-pos.
2961082	KB RELG 4	Fixed bridge, for cross connections, with screw, 4-pos.
2961095	KB RELG 7	Fixed bridge, for cross connections, with screw, 7-pos.

Plug/Adapter

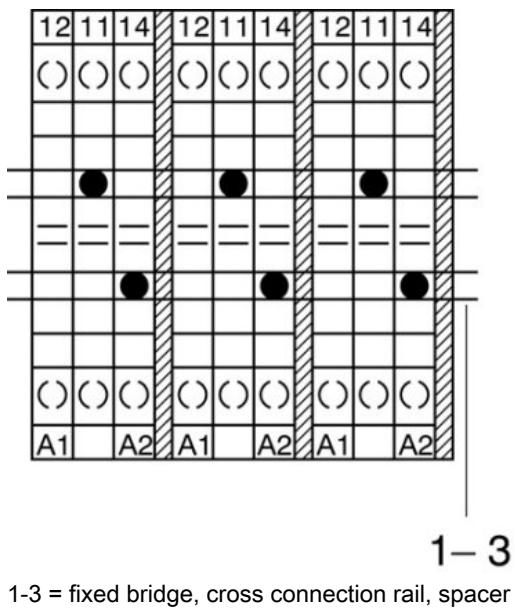
0201647	RPS	Reducing plug, Color: gray
---------	-----	----------------------------

Drawings

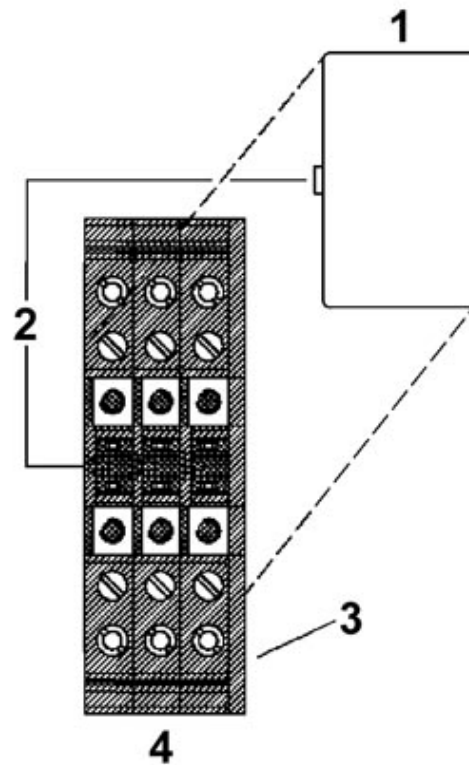
Dimensioned drawing



Schematic diagram



1-3 = fixed bridge, cross connection rail, spacer



- 1 = Coupling connector
- 2 = Coding
- 3 = Cover
- 4 = Basic termination block

Address

PHOENIX CONTACT GmbH & Co. KG
Flachsmarktstr. 8
32825 Blomberg, Germany
Phone +49 5235 3 00
Fax +49 5235 3 41200
<http://www.phoenixcontact.com>



© 2009 Phoenix Contact
Technical modifications reserved;