

VC-D3-BU50-PE-R

Order No.: 1884788

<http://eshop.phoenixcontact.de/phoenix/treeViewClick.do?UID=1884788>Female contact carrier, for rolled crimp contacts, type VC 3, 50-pos. +
PE

Commercial data

EAN	4017918164850
Pack	10 pcs.
Customs tariff	85366990
Weight/Piece	0.05159 KG
Catalog page information	Page 363 (PC-2009)

Product notes

WEEE/RoHS-compliant since:
12/15/2005

<http://www.download.phoenixcontact.com>
Please note that the data given here has been taken from the online catalog. For comprehensive information and data, please refer to the user documentation. The General Terms and Conditions of Use apply to Internet downloads.

Technical data

Electrical characteristics

Note	Plug connectors may only be connected/disconnected when under no load.
Rated voltage	250 V
Rated voltage (III/3)	250 V

Rated current	10 A
	10 A
Rated surge voltage	4 kV
Ambient temperature (operation)	-40 °C ... 125 °C
Number of positions	50

Mechanical characteristics

Conductor cross section	0.14 mm ² ... 1.5 mm ² (stranded)
Connection cross section AWG	22 ... 16
Stripping length of the individual wire	8 mm
Conductor cross section stranded max.	1.5 mm ²
Insertion/withdrawal cycles	>= 500

General characteristics

Design	VC3
Connection method	Crimp connection
Inflammability class acc. to UL 94	V0
Pollution degree	2
Surge voltage category	III

Material data

Contact carrier material	PA-GF
--------------------------	-------

Accessories

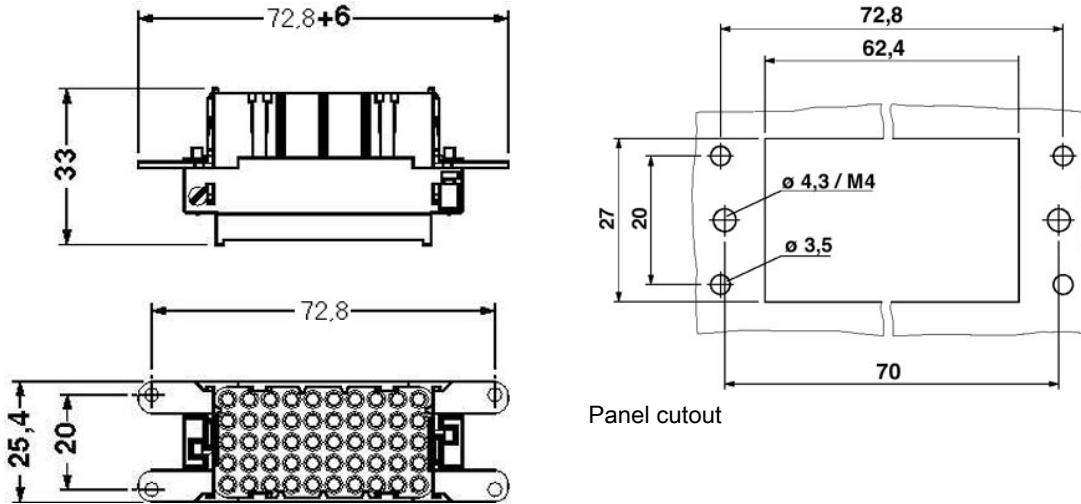
Item	Designation	Description
------	-------------	-------------

Assembly

1855319	VC-D-AF	Panel mounting flange for screw locking, to fix the contact insert to the housing panel
---------	---------	-----------------------------------------------------------------------------------------

Drawings

Dimensioned drawing



Address

PHOENIX CONTACT GmbH & Co. KG
Flachmarktstr. 8
32825 Blomberg, Germany
Phone +49 5235 3 00
Fax +49 5235 3 41200
<http://www.phoenixcontact.com>



© 2009 Phoenix Contact
Technical modifications reserved;