

## ICV 2,5/ 6-GF-5,08

Order No.: 1825734

The figure shows a 10-position version of the product

<http://eshop.phoenixcontact.de/phoenix/treeViewClick.do?UID=1825734>Header, Nominal current: 12 A, Nom. voltage: 320 V, Pitch: 5.08 mm,  
Number of positions: 6, Assembly: Soldering

### Commercial data

EAN	4017918049898
Pack	50 pcs.
Customs tariff	85366990
Weight/Piece	0.007937 KG
Catalog page information	Page 265 (CC-2009)

### Product notes

WEEE/RoHS-compliant since:  
01/01/2003

<http://www.download.phoenixcontact.com>  
Please note that the data given here has been taken from the online catalog. For comprehensive information and data, please refer to the user documentation. The General Terms and Conditions of Use apply to Internet downloads.

### Technical data

#### Dimensions / positions

Length	10.2 mm
Pitch	5.08 mm
Number of positions	6
Pin dimensions	1,2 x 0,5
Hole diameter	1.4 mm

**Technical data**

Insulating material group	I
Rated surge voltage (III/3)	4 kV
Rated surge voltage (III/2)	4 kV
Rated surge voltage (II/2)	4 kV
Rated voltage (III/2)	320 V
Rated voltage (II/2)	630 V
Connection in acc. with standard	EN-VDE
Nominal current $I_N$	12 A
Nominal voltage $U_N$	320 V
Maximum load current	12 A
Insulating material	PA
Inflammability class acc. to UL 94	V0

**Accessories**

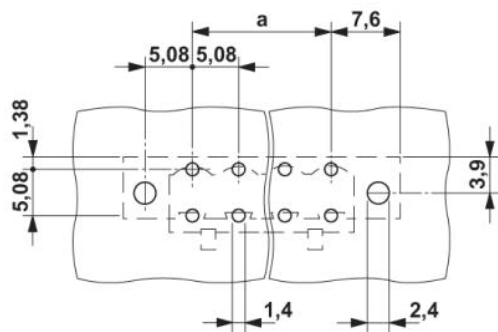
Item	Designation	Description
------	-------------	-------------

**Plug/Adapter**

1734634	CP-MSTB	Keying profile, is inserted into the slot on the plug or inverted header, red insulating material
0201744	MPS-MT	Metal part for test connector
0201647	RPS	Reducing plug, Color: gray

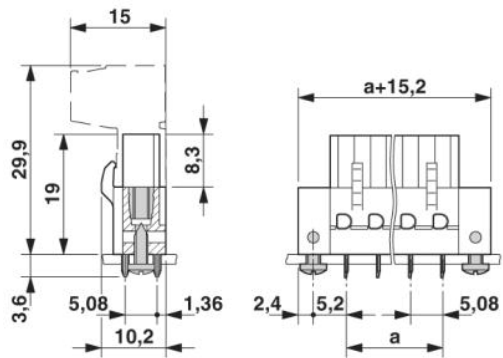
**Drawings**

Drilling diagram



Dimensioned drawing

---



**Address**

PHOENIX CONTACT GmbH & Co. KG  
Flachmarktstr. 8  
32825 Blomberg, Germany  
Phone +49 5235 3 00  
Fax +49 5235 3 41200  
<http://www.phoenixcontact.com>



© 2009 Phoenix Contact  
Technical modifications reserved;