

SAC-3P-M12MS/ 0,6-PUR/M12FR-2L

Order No.: 1694567

<http://eshop.phoenixcontact.de/phoenix/treeViewClick.do?UID=1694567>

Sensor/actuator cable, 3-pos., PUR halogen-free black, straight M12 plug, on angled M12 socket, with two LEDs, cable length: 0.6 m

Commercial data

| | |
|--------------------------|-------------------|
| EAN | 4017918178437 |
| Pack | 1 pcs. |
| Customs tariff | 85444290 |
| Weight/Piece | 0.0345 KG |
| Catalog page information | Page 76 (PC-2009) |

Product notes

WEEE/RoHS-compliant since:
11/17/2006



<http://www.download.phoenixcontact.com>
Please note that the data given here has been taken from the online catalog. For comprehensive information and data, please refer to the user documentation. The General Terms and Conditions of Use apply to Internet downloads.

Technical data**General data**

| | |
|-----------------------|----------------------------|
| Nominal current I_N | 4 A |
| Nominal voltage U_N | 24 V |
| Number of positions | 3 |
| Volume resistance | $\leq 5 \text{ m}\Omega$ |
| Insulation resistance | $\geq 100 \text{ M}\Omega$ |

| | |
|---------------------------------|--|
| Length of cable | 0.6 m |
| Ambient temperature (operation) | -25 °C ... 90 °C (plug/socket) |
| | -40 °C ... 80 °C (cable, fixed installation) |
| | -5 °C ... 80 °C (cable, flexible installation) |

General characteristics

| | |
|------------------------------------|---|
| Coding | A - standard |
| Inflammability class acc. to UL 94 | HB |
| Surge voltage category | II |
| Pollution degree | 3 |
| Degree of protection | IP65/IP68/IP69K |
| Contact material | CuSn |
| Contact surface material | Ni/Au |
| Contact carrier material | TPU GF |
| Material of grip body | TPU, hardly inflammable, self-extinguishing |
| Material, knurls | Zinc die-cast, (nickel-plated) |
| Sealing material | NBR |
| Status display | 2 LEDs |

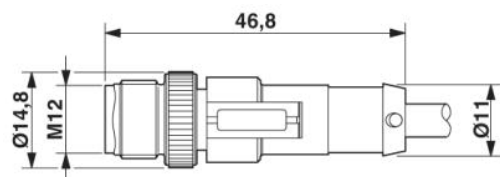
Conductor data

| | |
|------------------------------------|--------------------------------|
| Cable type | PUR halogen-free black |
| Cable type (abbreviation) | PUR |
| Cable abbreviation | Li9Y11Y |
| Conductor cross section | 0.34 mm ² |
| AWG signal line | 22 |
| Conductor structure, signal line | 42x 0.10 mm |
| Core diameter including insulation | 1.27 mm ±0.02 mm |
| Thickness, insulation | ≥ 0.21 mm (Core insulation) |
| | ≥ 0.76 mm (Outer cable sheath) |
| External cable diameter | 4.40 mm |
| Wire colors | Brown, blue, black |
| External sheath, color | Black-gray RAL 7021 |
| Insulation resistance | ≥ 100 GΩ*km |
| Conductor resistance | ≤ 58 Ω/m |
| Nominal voltage, conductor | 300 V |
| Test voltage, conductor | 3000 V |

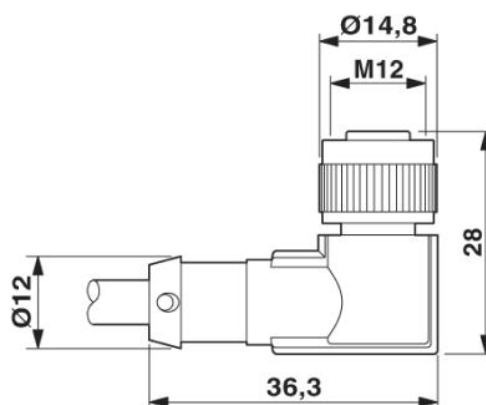
| | |
|---|---|
| Overall twist | 3 wires, twisted |
| Outer sheath, material | PUR |
| Material conductor insulation | PP |
| Conductor material | Bare Cu litz wires |
| Cable weight | 26 kg/km |
| Smallest bending radius, movable installation | 44 mm |
| Number of bending cycles | 4000000 |
| Bending radius | 44 mm |
| Traversing path | 10 m |
| Traversing rate | 3 m/s |
| Acceleration | 10 m/s ² |
| Special properties | Flexible cable conduit capable |
| | Silicone-free |
| | Free of substances which would hinder coating with paint or varnish |
| Flame resistance | As per UL-Style 20549 |
| Freedom from halogen | As per DIN VDE 0472 part 815 |
| Resistance to oil | complying with DIN EN 60811-2-1 |
| Other resistance | Highly resistant to acids, alkaline solutions and solvents |
| | hydrolysis and microbe resistant |

Drawings

Dimensioned drawing

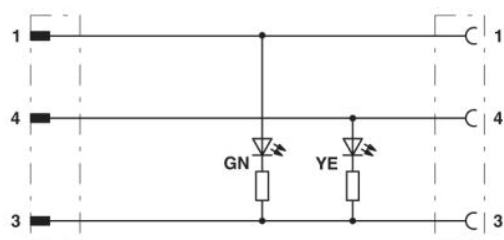


M12 x 1 male connector, straight



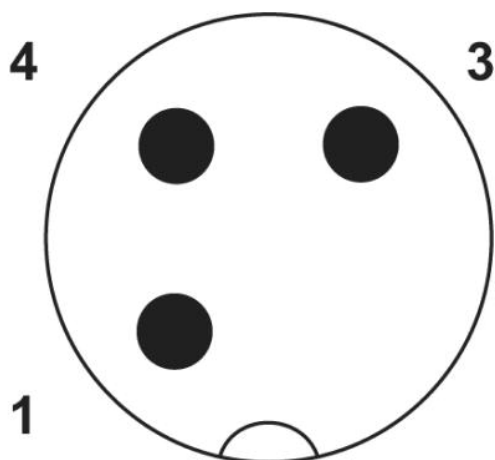
Socket M12 x 1, angled, with LED

Circuit diagram

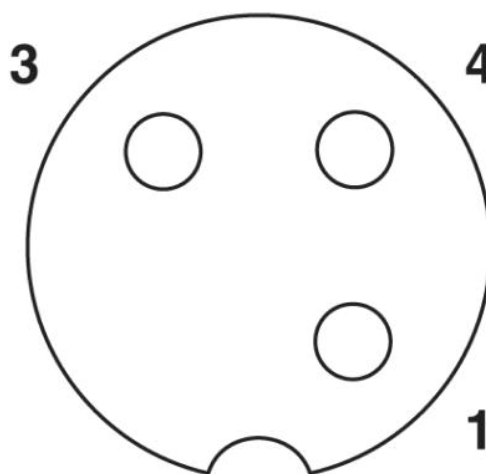


Contact assignment of the M12 plug and the M12 socket

Schematic diagram



Pin assignment M12 plug, 3-pos., A-coded, view male side



Pin assignment M12 socket, 3-pos., A-coded, view female side

Address

PHOENIX CONTACT GmbH & Co. KG
Flachmarktstr. 8
32825 Blomberg, Germany
Phone +49 5235 3 00
Fax +49 5235 3 41200
<http://www.phoenixcontact.com>



© 2009 Phoenix Contact
Technical modifications reserved;