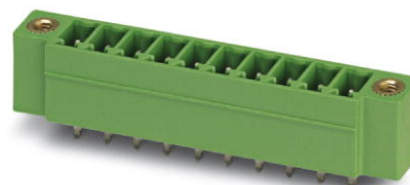


EMCV 1,5/ 2-GF-3,81

Order No.: 1879285

The figure shows a 10-position version of the product

<http://eshop.phoenixcontact.de/phoenix/treeViewClick.do?UID=1879285>Header, Nominal current: 8 A, Nom. voltage: 160 V, Pitch: 3.81 mm,
Number of positions: 2, Assembly: Press-in

Commercial data

| | |
|--------------------------|--------------------|
| EAN | 4017918173845 |
| Pack | 50 pcs. |
| Customs tariff | 85366990 |
| Weight/Piece | 0.0017 KG |
| Catalog page information | Page 173 (CC-2009) |

Product notes

WEEE/RoHS-compliant since:
01/01/2003

<http://www.download.phoenixcontact.com>
Please note that the data given here has been taken from the online catalog. For comprehensive information and data, please refer to the user documentation. The General Terms and Conditions of Use apply to Internet downloads.

Technical data

Dimensions / positions

| | |
|---------------------|--------------|
| Length | 7.25 mm |
| Pitch | 3.81 mm |
| Number of positions | 2 |
| Pin dimensions | 0,8 x 0,8 mm |
| Hole diameter | 1.45 mm |

Technical data

| | |
|------------------------------------|--------|
| Insulating material group | IIIa |
| Rated surge voltage (III/3) | 2.5 kV |
| Rated surge voltage (III/2) | 2.5 kV |
| Rated surge voltage (II/2) | 2.5 kV |
| Rated voltage (III/2) | 160 V |
| Rated voltage (II/2) | 250 V |
| Connection in acc. with standard | EN-VDE |
| Nominal current I_N | 8 A |
| Nominal voltage U_N | 160 V |
| Maximum load current | 8 A |
| Insulating material | PBT |
| Inflammability class acc. to UL 94 | V0 |

Accessories

| Item | Designation | Description |
|------|-------------|-------------|
|------|-------------|-------------|

Assembly

| | | |
|---------|---------------|--|
| 1877258 | EMC 1,5-SH | Stamp holder, for upper and lower stamp |
| 1877274 | EMCV 1,5-SS 1 | Stamp set, consisting of upper and lower stamp for 3.81 mm pitch, 2 to 16-pos. |

Marking

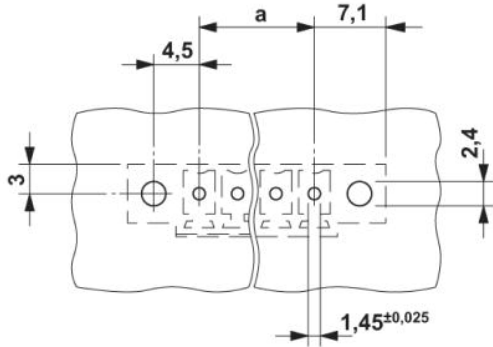
| | | |
|---------|--------------------------|--|
| 0804109 | SK 3,81/2,8:FORTL.ZAHLEN | Marker card, printed horizontally, self-adhesive, 10-section marker strip, 14 identical decades marked 1-10, 11-20 etc. up to 91-(99)100, sufficient for 140 terminal blocks |
|---------|--------------------------|--|

Plug/Adapter

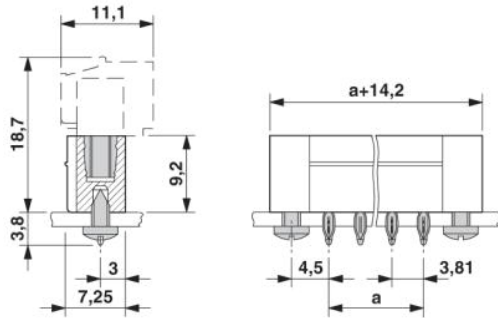
| | | |
|---------|---------|---|
| 1734634 | CP-MSTB | Keying profile, is inserted into the slot on the plug or inverted header, red insulating material |
|---------|---------|---|

Drawings

Drilling diagram



Dimensioned drawing



Address

PHOENIX CONTACT GmbH & Co. KG
Flachsmarktstr. 8
32825 Blomberg, Germany
Phone +49 5235 3 00
Fax +49 5235 3 41200
<http://www.phoenixcontact.com>



© 2009 Phoenix Contact
Technical modifications reserved;