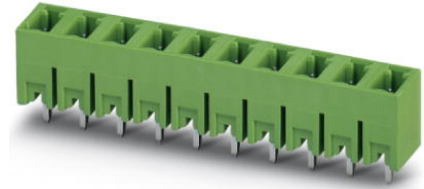


## MCV 1,5/ 4-G-5,08

Order No.: 1836312

The figure shows a 10-position version of the product

<http://eshop.phoenixcontact.de/phoenix/treeViewClick.do?UID=1836312>Header, Nominal current: 8 A, Nom. voltage: 250 V, Pitch: 5.08 mm,  
Number of positions: 4, Color: green, Assembly: Soldering

### Commercial data

|                          |                    |
|--------------------------|--------------------|
| EAN                      | 4017918111175      |
| Pack                     | 50 pcs.            |
| Customs tariff           | 85366990           |
| Weight/Piece             | 0.00163 KG         |
| Catalog page information | Page 197 (CC-2009) |

### Product notes

WEEE/RoHS-compliant since:  
01/01/2003

<http://www.download.phoenixcontact.com>  
Please note that the data given here has been taken from the online catalog. For comprehensive information and data, please refer to the user documentation. The General Terms and Conditions of Use apply to Internet downloads.

### Technical data

#### Dimensions / positions

|                     |              |
|---------------------|--------------|
| Length              | 7.25 mm      |
| Pitch               | 5.08 mm      |
| Dimension a         | 15.24 mm     |
| Number of positions | 4            |
| Pin dimensions      | 0,8 x 0,8 mm |

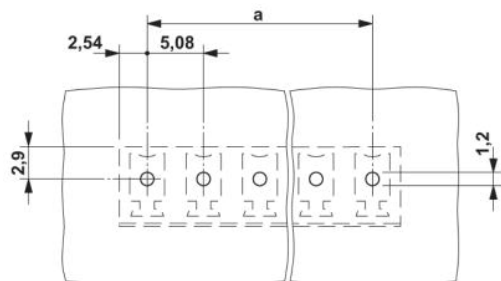
|                                    |        |
|------------------------------------|--------|
| Hole diameter                      | 1.2 mm |
| <b>Technical data</b>              |        |
| Insulating material group          | IIIa   |
| Rated surge voltage (III/3)        | 4 kV   |
| Rated surge voltage (III/2)        | 4 kV   |
| Rated surge voltage (II/2)         | 4 kV   |
| Rated voltage (III/2)              | 320 V  |
| Rated voltage (II/2)               | 400 V  |
| Connection in acc. with standard   | EN-VDE |
| Nominal current $I_N$              | 8 A    |
| Nominal voltage $U_N$              | 250 V  |
| Maximum load current               | 8 A    |
| Insulating material                | PBT    |
| Inflammability class acc. to UL 94 | V0     |

### Accessories

| Item                | Designation              | Description  |
|---------------------|--------------------------|--|
| <b>Marking</b>      |                          |  |
| 0804280             | SK 5,08/2,8:FORTL.ZAHLEN | Marker card, printed horizontally, self-adhesive, 10-section marker strip, 14 identical decades marked 1-10, 11-20 etc. up to 91-(99)100, sufficient for 140 terminal blocks |
| <b>Plug/Adapter</b> |                          |  |
| 1734634             | CP-MSTB                  | Keying profile, is inserted into the slot on the plug or inverted header, red insulating material  |

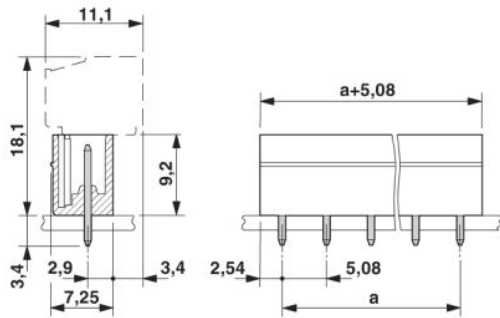
### Drawings

Drilling diagram



Dimensioned drawing

---



**Address**

PHOENIX CONTACT GmbH & Co. KG  
Flachsmarktstr. 8  
32825 Blomberg, Germany  
Phone +49 5235 3 00  
Fax +49 5235 3 41200  
<http://www.phoenixcontact.com>



© 2009 Phoenix Contact  
Technical modifications reserved;