

ST-MKDSP 3/5

Order No.: 1718207

<http://eshop.phoenixcontact.de/phoenix/treeViewClick.do?UID=1718207>

Test plugs

Commercial data	
EAN	4017918024819
Pack	10 pcs.
Customs tariff	85369010
Weight/Piece	0.01411 KG
Catalog page information	Page 504 (CC-2009)

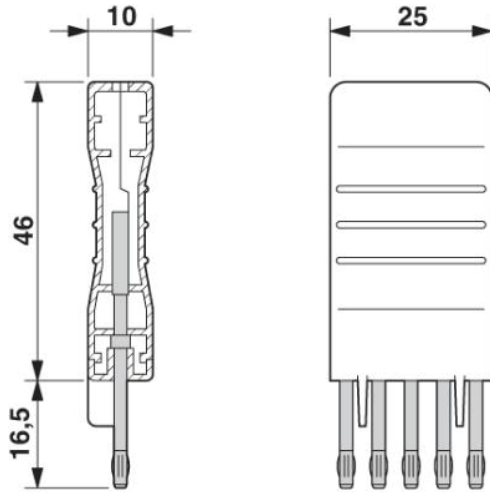
Product notes

WEEE/RoHS-compliant since:
01/01/2003

<http://www.download.phoenixcontact.com>
Please note that the data given here has been taken from the online catalog. For comprehensive information and data, please refer to the user documentation. The General Terms and Conditions of Use apply to Internet downloads.

Drawings

Dimensioned drawing



Address

PHOENIX CONTACT GmbH & Co. KG
Flachsmarktstr. 8
32825 Blomberg, Germany
Phone +49 5235 3 00
Fax +49 5235 3 41200
<http://www.phoenixcontact.com>



© 2009 Phoenix Contact
Technical modifications reserved;